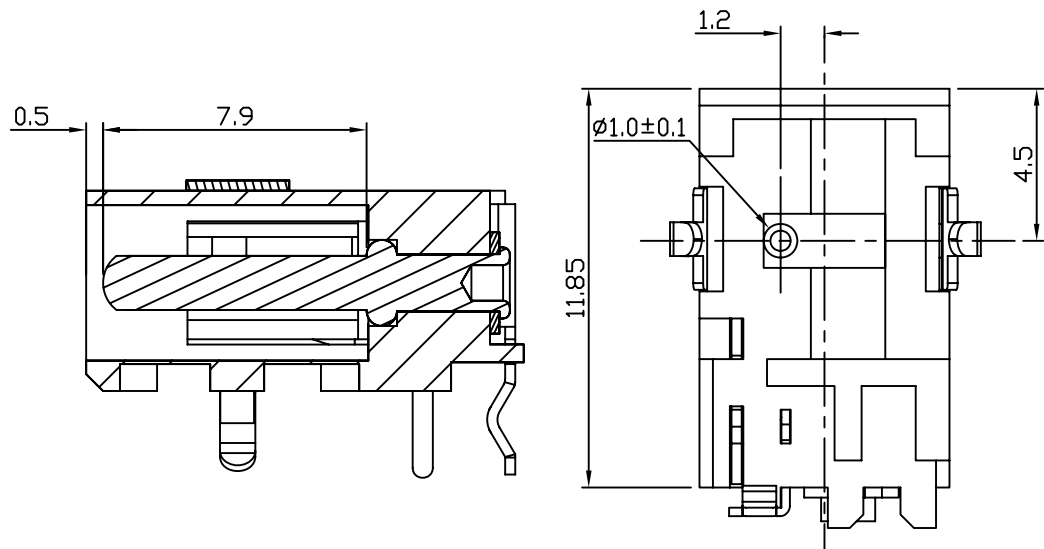
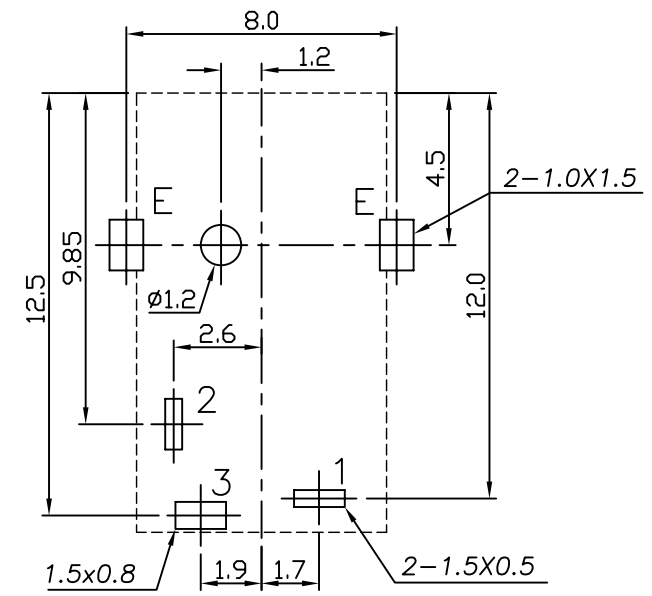
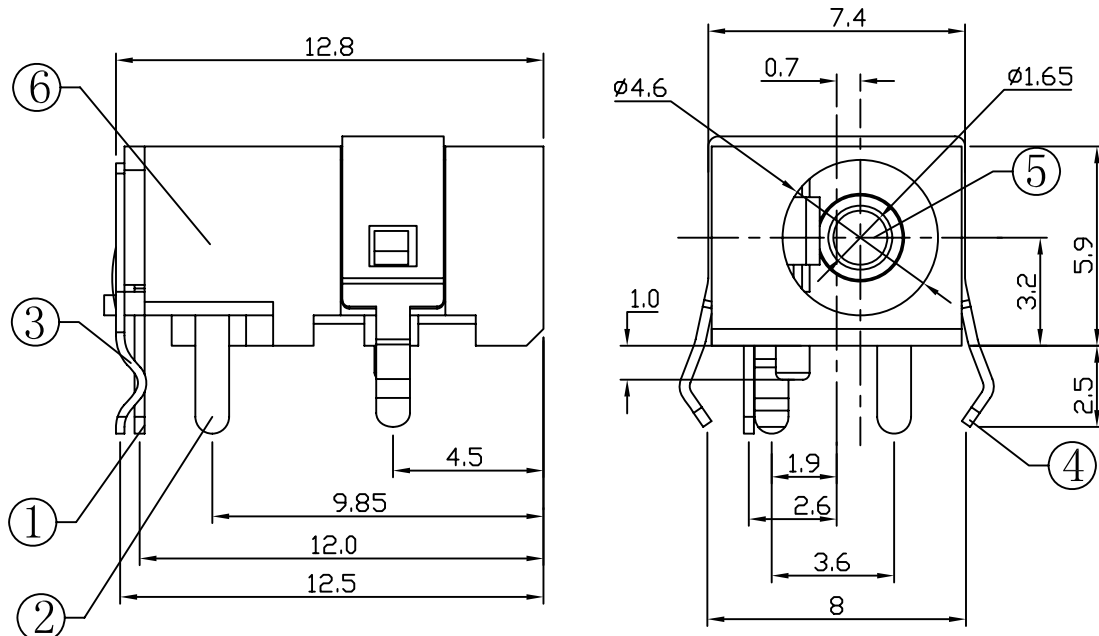


* REVISIONS				
LTR	DESCRIPTION	DATE	REVISED	APPROVED



T:1.6 Dimensions of PC board holes
Tolerance : ±0.05 Printed-Bottom view)

LEAD FREE

6	HOUSING	1	PA66			
5	PIN	1	H59(COPPER ALLOY)	Cu/Sn	PLATED	
4	CONTACT FOOT	1	C2680	t=0.30	Ag PLATED	
3	CURVE PIECE	1	C2680	t=0.30	Ag PLATED	
2	SPRING	1	C5191	t=0.30	Ag PLATED	
1	FLAT PIECE	1	C2680	t=0.30	Ag PLATED	
LTR	PART NAME	QTY	MATERIAL	REMARK		
DWN	LILY	DATE	2013.12.18	3RD ANGLE PROJECTION	NAME DC POWER JACK	
CHKD	ANDY	DATE	2013.12.18		CAT. NO. DCD-020-26M	
APVD	JON	DATE	2013.12.18		UNIT: mm	
JKCR Electronics Co., Ltd.					DWN.NO. A-020-26	001

UNLESS OTHERWISE SPECIFIED, TOLERANCE ON DECIMAL: ±0.3