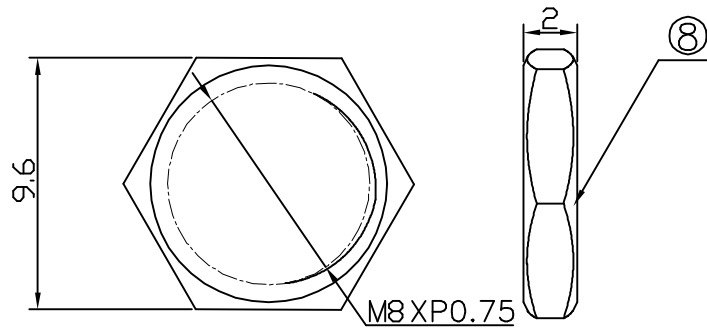
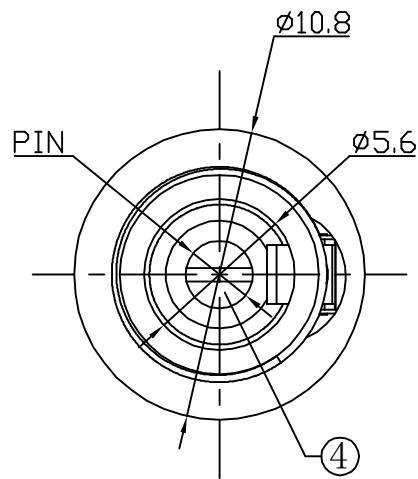
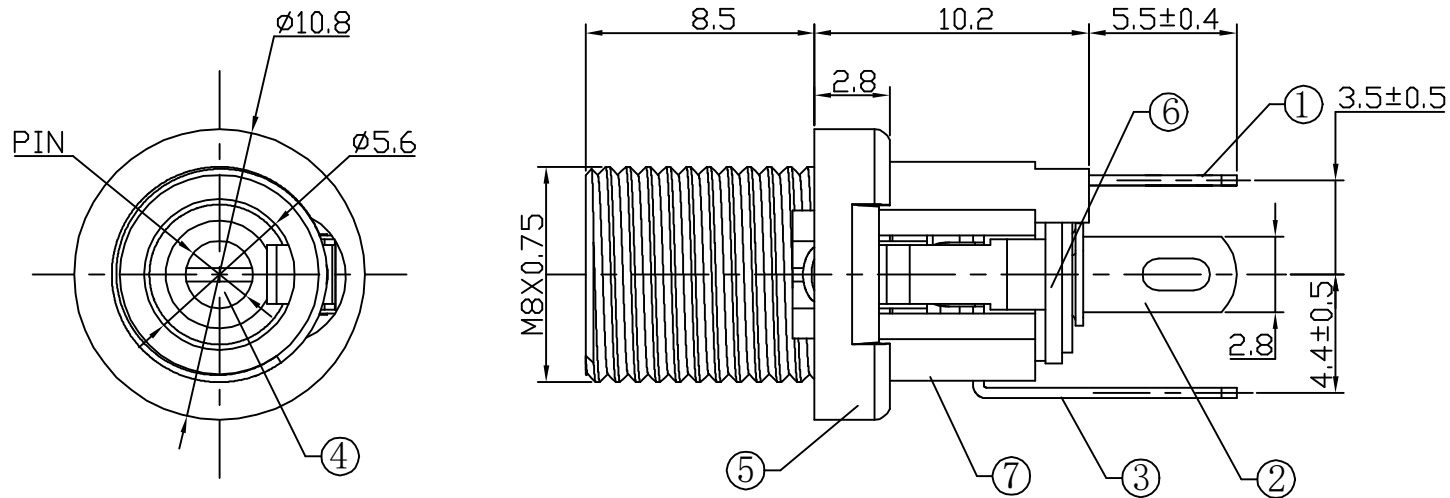


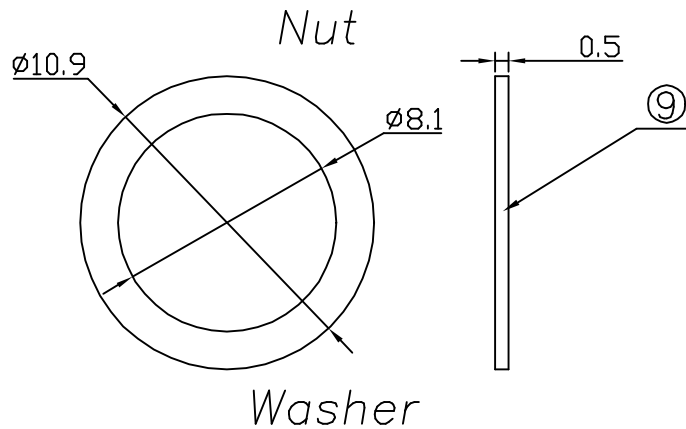
* RoHS COMPLIANT *

* REVISIONS

LTR	DESCRIPTION	DATE	REVISED	APPROVED



CAT NO.	PIN	SCHEMATIC
DCD-020-24LMKA	Ø2.0	
DCD-020-24LMKB	Ø2.5	



9	WASHER	1	SPCC	Cu/Sn PLATED
8	NUT	1	H59(COPPER ALLOY)	Cu/Sn PLATED
7	HOUSING	1	PBT 4815	UL-94V0(BLACK)
6	GREEN WASHER	1	PF	
5	AXIS SUPPORT	1	H59(COPPER ALLOY)	Cu/Sn PLATED
4	PIN	1	H59(COPPER ALLOY)	Cu/Sn PLATED
3	SHUNT TERMIALNL	1	C2680	Sn PLATED
2	TIP SPRING	1	C5191	Sn PLATED
1	CENTER PIN TERMINAL	1	C2680	Sn PLATED

LTR	PART NAME	QTY	MATERIAL	REMARK
DWN	LILY	DATE	2020.10.20	3RD ANGLE PROJECTION NAME DC POWER JACK
CHKD	ANDY	DATE	2020.10.20	
APVD	JON	DATE	2020.10.20	
				CAT. NO. DCD-020-24LMK
				DWN.NO. B-020-24

UNLESS OTHERWISE SPECIFIED, TOLERANCE ON DECIMAL:±0.3

JKCR Electronics Co., Ltd.

006