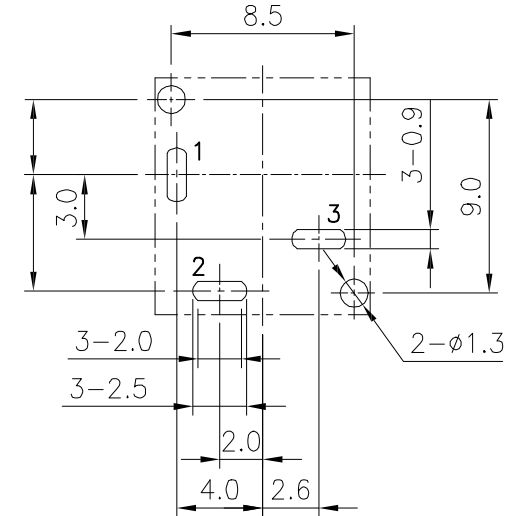
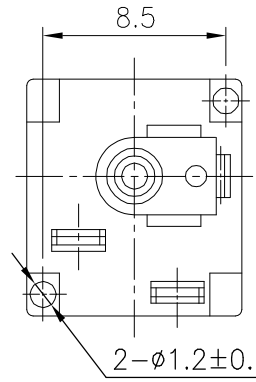
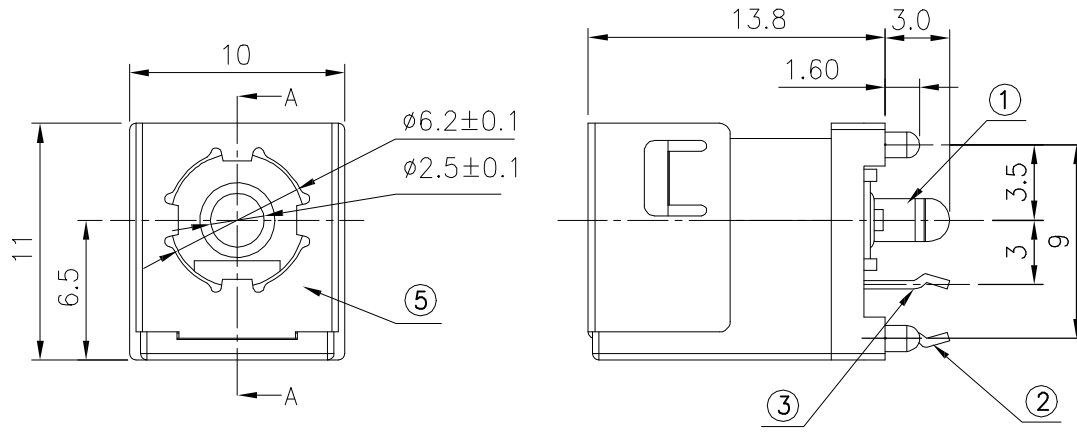
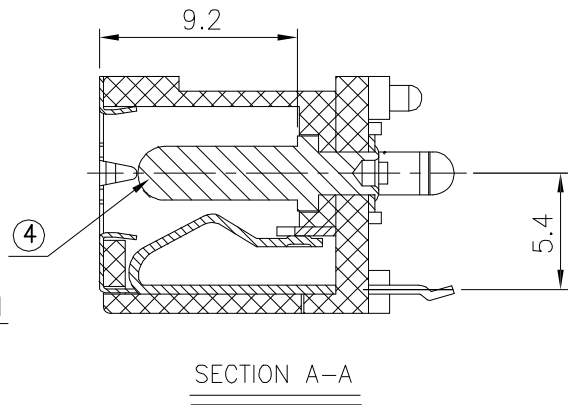
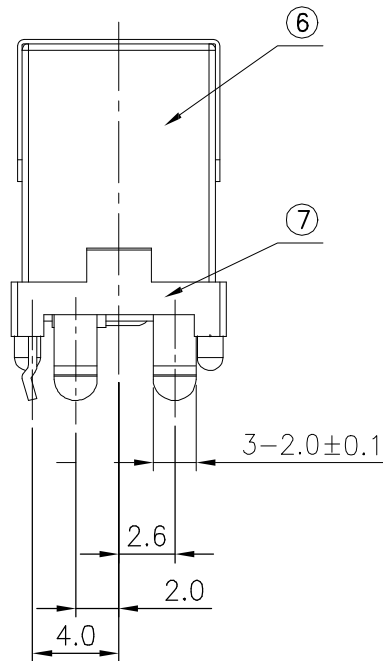
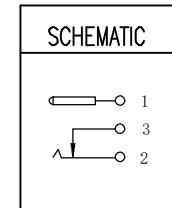


* RoHS COMPLIANT *



T:1.6 Dimensions of PC board holes
Tolerance : ±0.05(Printed-top view)



*RATING: 60V 5A

QTY	PART NAME	MATERIAL	REMARK
1	COVER	PBT	BLACK
1	HOUSING	PBT	BLACK
1	SEALED PLATE	SUS	
1	PIN	COPPER ALLOY	Ni PLATED
1	CURVE PIECE	C2680	Sn PLATED
1	SPRING	C5191	Sn PLATED
1	FLAT PIECE	C2680	Sn PLATED

LTR	PART NAME	QTY	MATERIAL	REMARK
DWN	LILY	DATE	2024.07.08	3RD ANGLE PROJECTION
CHKD	ANDY	DATE	2024.07.08	
APVD	JON	DATE	2024.07.08	UNIT: mm

NAME DC POWER JACK
CAT. NO. DCD-020-224VB

DWN.NO. M-020-224 001

UNLESS OTHERWISE SPECIFIED, TOLERANCE ON DECIMAL: ±0.3

JKCR Electronics Co., Ltd.