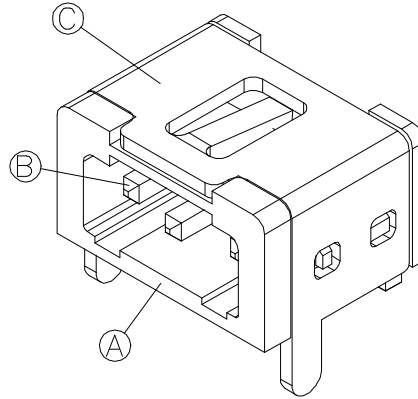
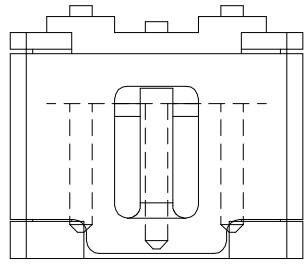
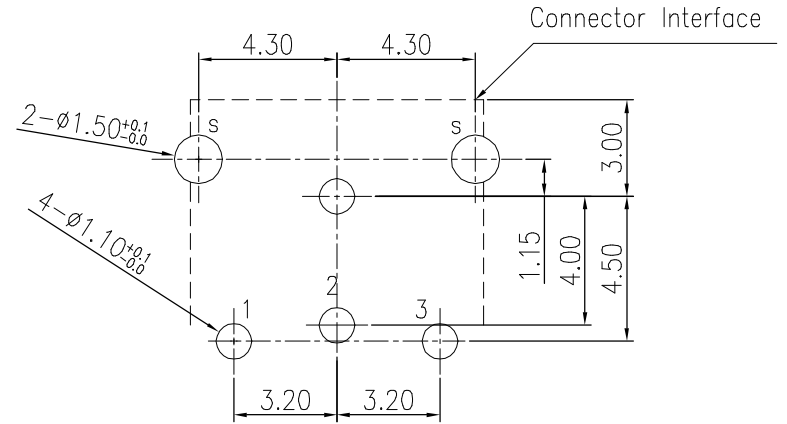
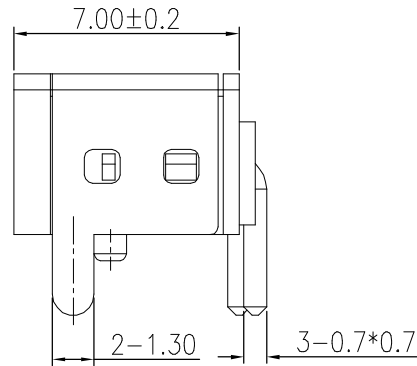
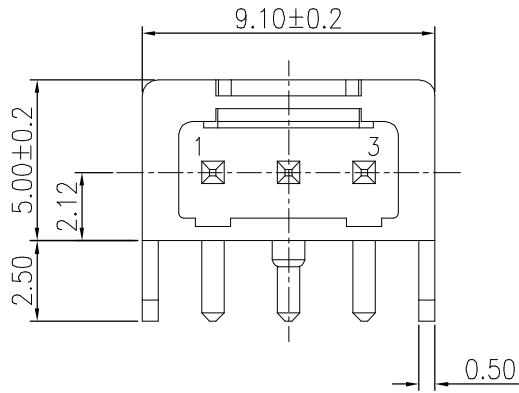
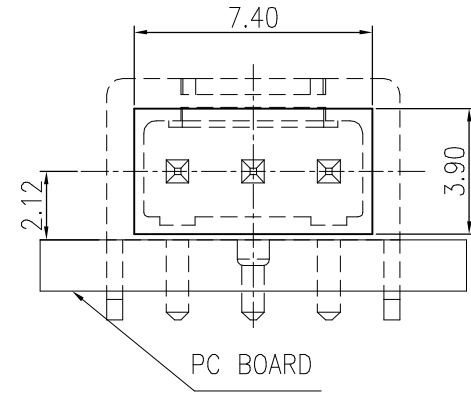


* RoHS COMPLIANT *

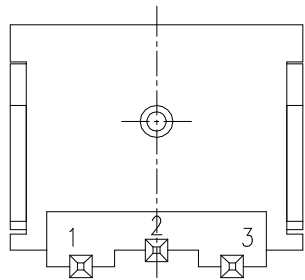


* REVISIONS				
LTR	DESCRIPTION	DATE	REVISED	APPROVED



RECOMMEND PCB LAYOUT (BOTTOM VIEW)

TOLERANCE:±0.05



UNLESS OTHERWISE SPECIFIED, TOLERANCE ON DECIMAL: ±0.3

C	SHELL	1	PHOSPHOR BRONZE	Tin Plated	
B	TERMINAL	3	BRASS	Ni Plated	
A	HOUSING	1	PA9T	BLACK	
LTR	PART NAME	QTY	MATERIAL	REMARK	
DWN	LILY	DATE	2024.05.07	3RD ANGLE PROJECTION NAME DC POWER JACK CAT. NO. DCD-020-222	
CHKD	ANDY	DATE	2024.05.07		
APVD	JON	DATE	2024.05.07		
JKCR Electronics Co., Ltd.				DWN.NO. M-020-222	001