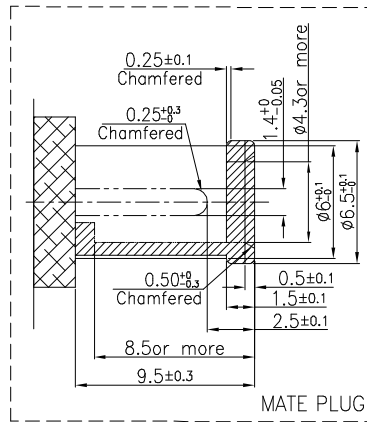
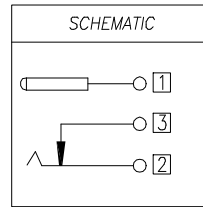
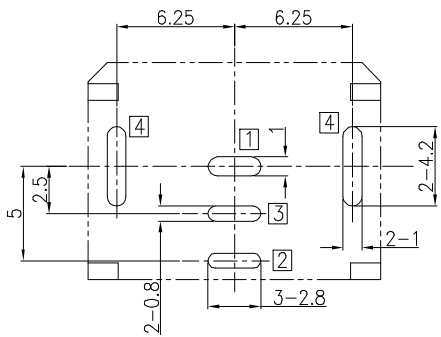
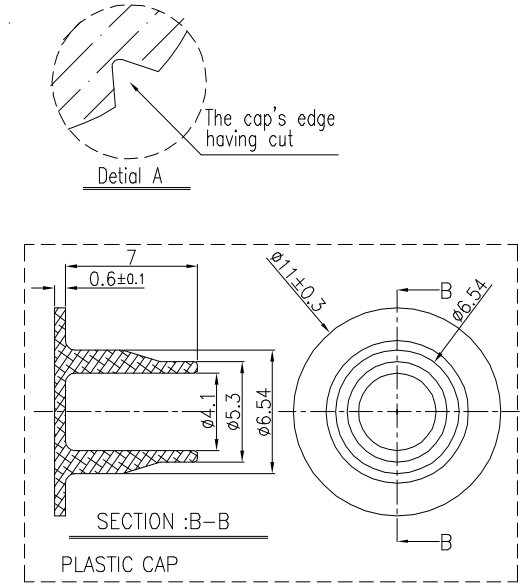
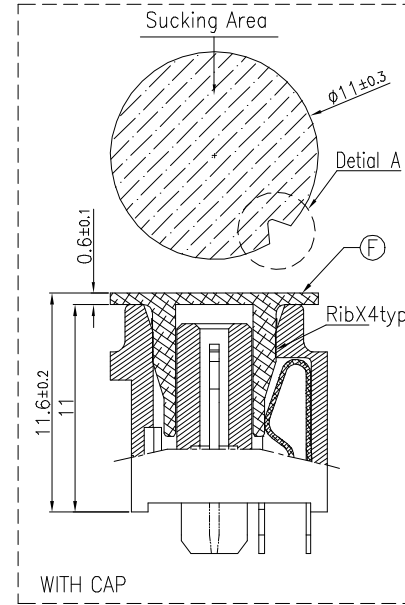
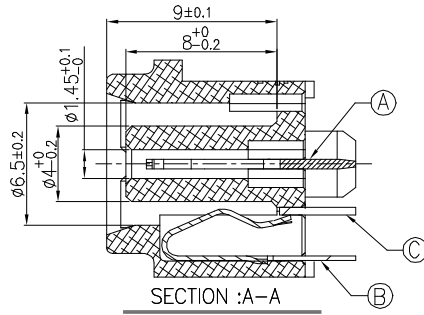
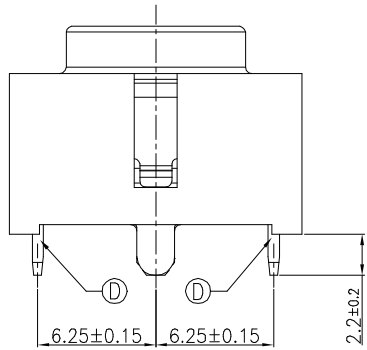
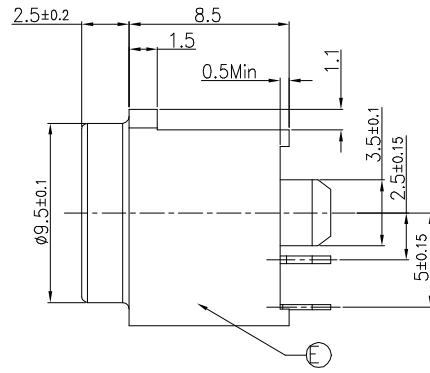
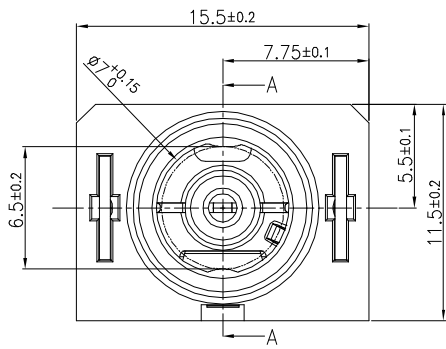


* RoHS COMPLIANT *

* REVISIONS

LTR	DESCRIPTION	DATE	REVISED	APPROVED
-----	-------------	------	---------	----------



Dimensions of PCB board holes
Tolerance : ±0.1(Bottom view)

UNLESS OTHERWISE SPECIFIED, TOLERANCE ON DECIMAL: ±0.3

F	CAP	1	LCP	BLACK
E	HOUSING	1	PA9T	BLACK
D	HOOK	1	SPCC	t=0.6 MATTE TIN PLATED
C	SHUNT TERMINAL	1	C2680	t=0.40 MATTE TIN PLATED
B	TIP SPRING	1	C5210	t=0.25 MATTE TIN PLATED
A	CENTER PIN	1	C5191	t=0.50 MATTE TIN PLATED
LTR	PART NAME	QTY	MATERIAL	REMARK
DWN	LILY	DATE	2023.11.30	3RD ANGLE PROJECTION NAME DC POWER JACK
CHKD	ANDY	DATE	2023.11.30	
APVD	JON	DATE	2023.11.30	UNIT: mm CAT. NO. DCD-020-212
JKCR Electronics Co., Ltd.				DWN.NO. S-020-212
				001