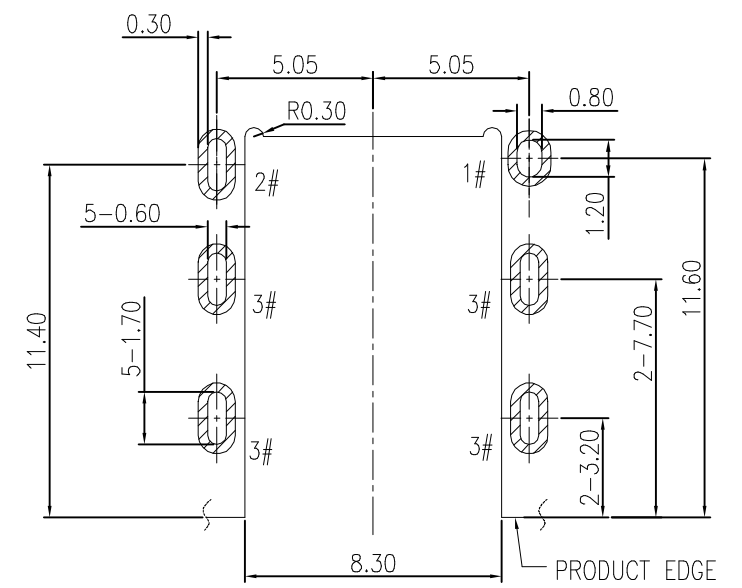
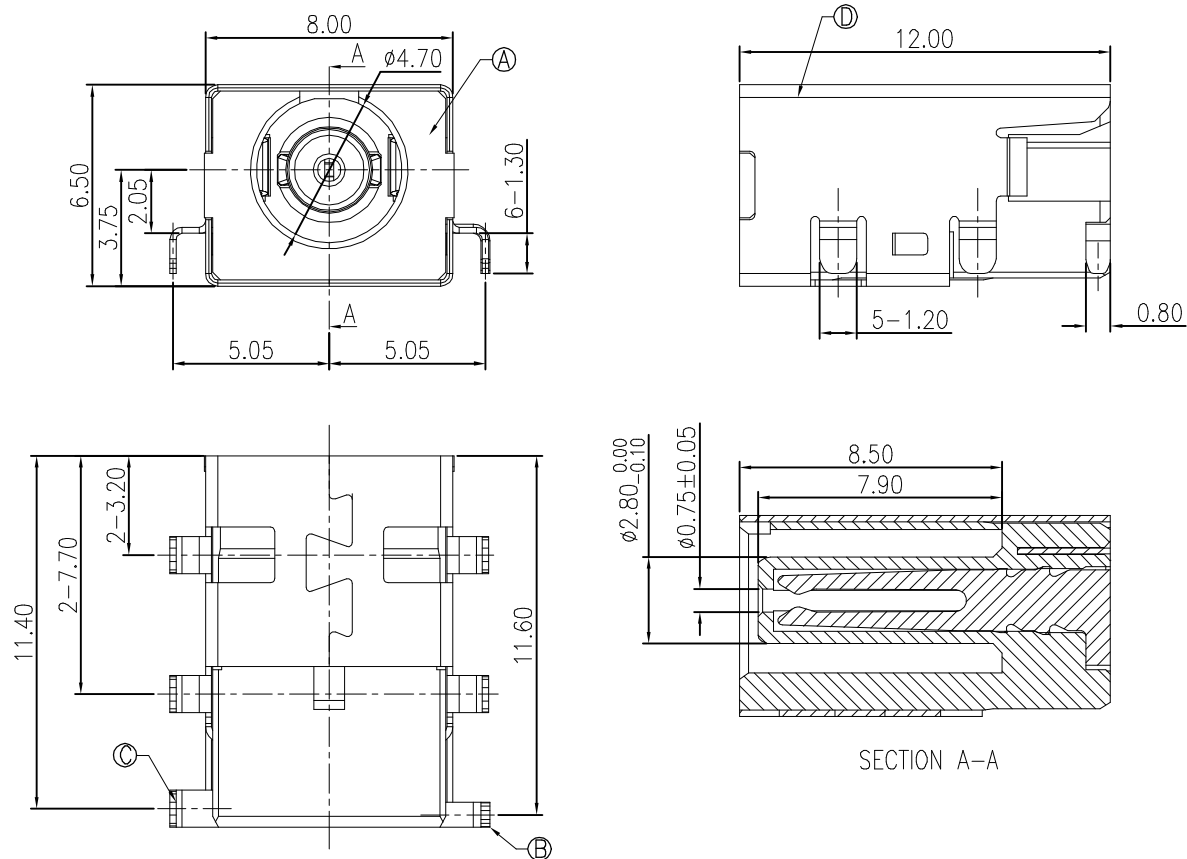
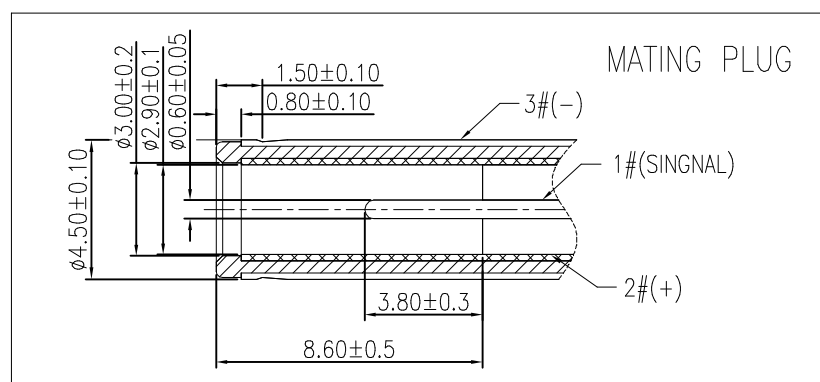
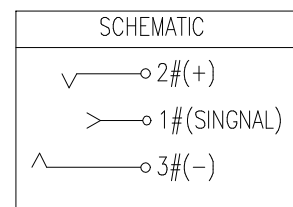


* RoHS COMPLIANT *

* REVISIONS				
LTR	DESCRIPTION	DATE	REVISED	APPROVED



RECOMMENDED PCB LAYOUT
TOP VIEW TOLERANCE: ±0.05



UNLESS OTHERWISE SPECIFIED, TOLERANCE ON DECIMAL: ±0.3

D	SHELL	1	COPPER ALLOY	t=0.20	Ni	PLATED
C	SPRING	1	C5191	t=0.20	Sn	PLATED
B	CENTER PIN	1	C2680	t=0.30	Sn	PLATED
A	HOUSING	1	PA9T		BLACK	
LTR	PART NAME	QTY	MATERIAL		REMARK	
DWN	LILY	DATE	2023.07.19	3RD ANGLE PROJECTION	NAME DC POWER JACK	
CHKD	ANDY	DATE	2023.07.19		CAT. NO. DCD-020-205	
APVD	JON	DATE	2023.07.19	UNIT: mm	DWN.NO. E-020-205	
JKCR Electronics Co., Ltd.					001	