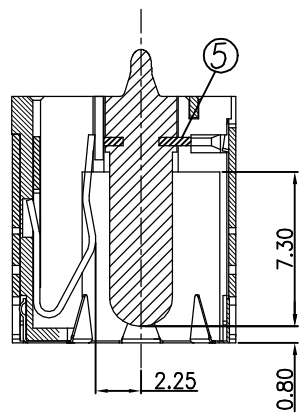
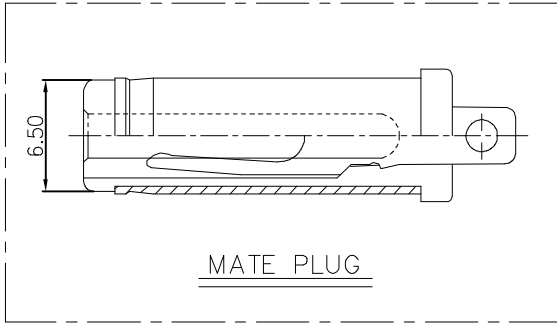
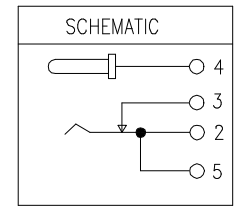


* RoHS COMPLIANT *

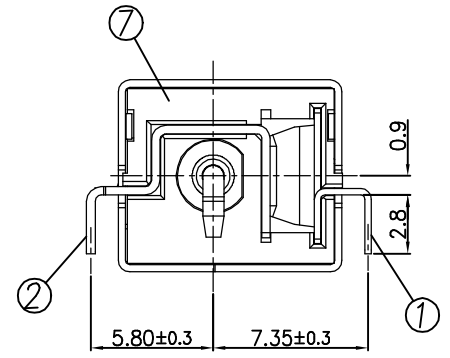
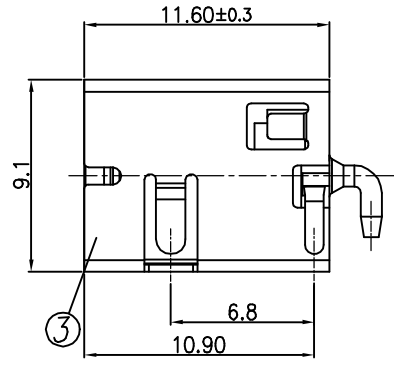
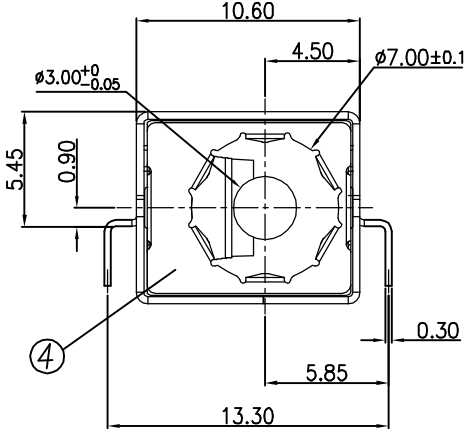
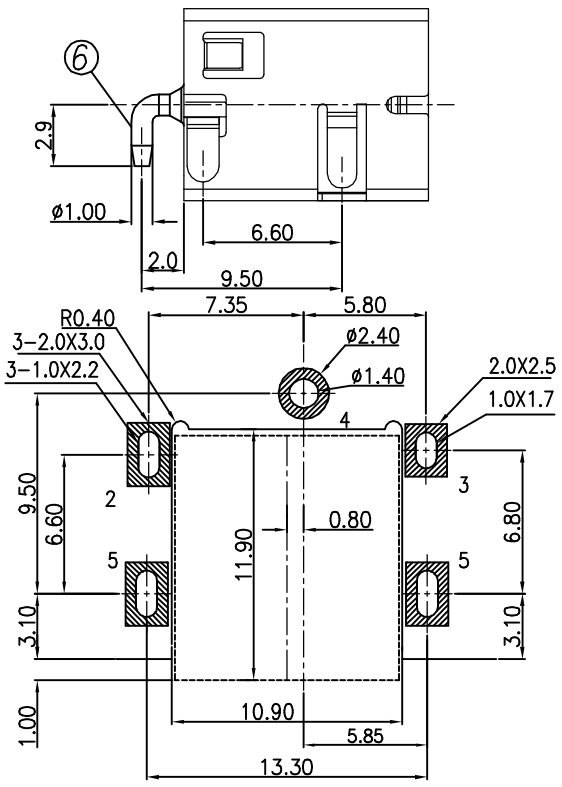


* REVISIONS				
LTR	DESCRIPTION	DATE	REVISED	APPROVED



SPECIFICATIONS:

- ELECTRICAL CHARACTERISTICS:
 - 1-1. RATING: 20V 8A
 - 1-2. CONTACT RESISTANCE: 30m MAX.(INITIAL)
 - 1-3. DIELECTRIC WITHSTANDING VOLTAGE: 500V AC FOR ONE MINUTE
 - 1-4. INSULATION RESISTANCE: 100M MIN(DC 250V).
- MECHANICAL CHARACTERISTICS:
 - 2-1. INSERTION FORCE : 3~30N
 - 2-2. WITHDRAWAL FORCE : 3~30N
- LIFE TEST: 5,000 CYCLES MIN.



RECOMMENDED P.C.B. LAYOUT
TOP VIEW (TOLERANCE: ±0.05)

UNLESS OTHERWISE SPECIFIED, TOLERANCE ON DECIMAL: ±0.3

7	HOUSING	1	PA9T	UL-94V0(BLACK)
6	PIN	1	H59	Ni PLATED
5	TERMINAL	1	SPCC t=0.30	Ni PLATED
4	TERMINAL	1	SUS 301H t=0.10	Ni PLATED
3	TERMINAL	1	BRASS t=0.30	Ni PLATED
2	TERMINAL	1	BRASS t=0.40	Ag PLATED
1	TERMINAL	1	PHOSPHOR BRONZE t=0.30	Ag PLATED
LTR	PART NAME	QTY	MATERIAL	REMARK
DWN	LILY	DATE	2022.09.06	NAME DC POWER JACK
CHKD	ANDY	DATE	2022.09.06	
APVD	JON	DATE	2022.09.06	CAT. NO. DCD-020-186
JKCR Electronics Co., Ltd.				DWN.NO. A-020-186
				001