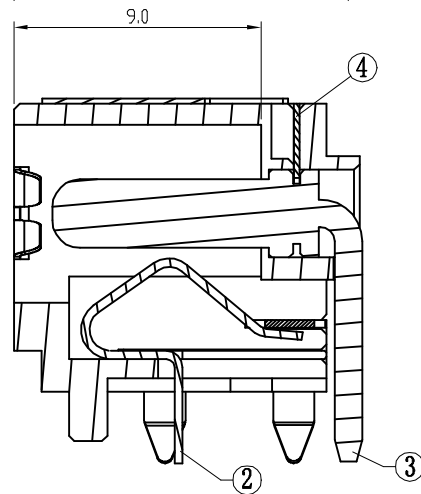
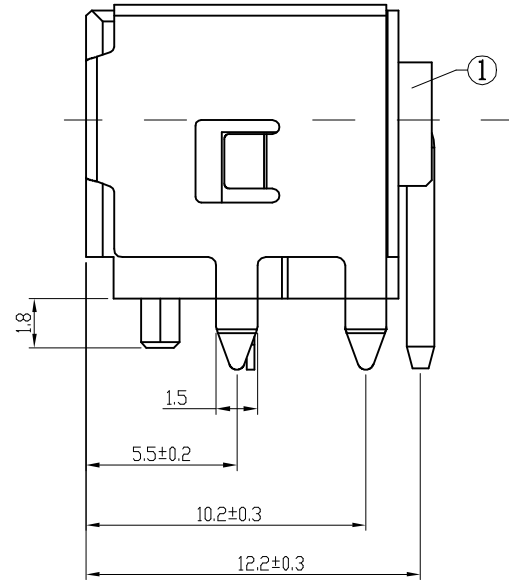
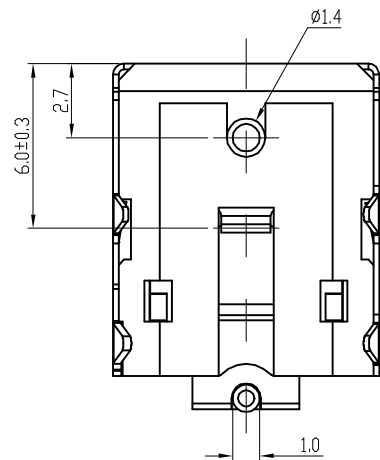
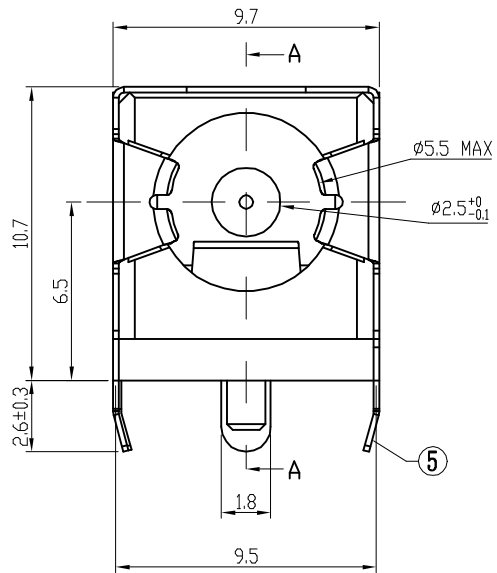
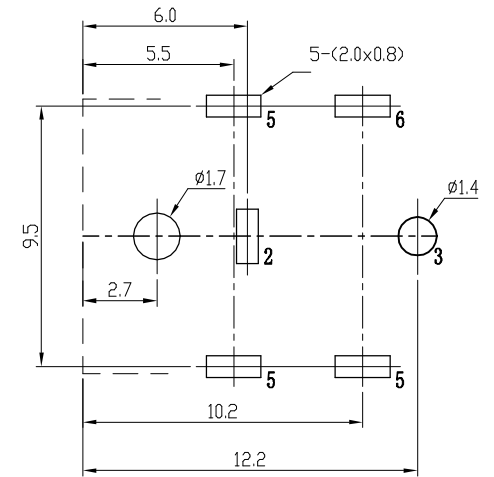
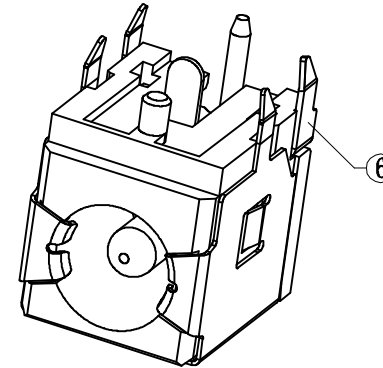
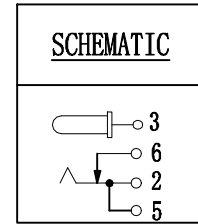


* RoHS COMPLIANT *



SECTION A-A



P.C.B LAYOUT (TOP VIEW)
ALL TOLERANCE ±0.05

LTR	PART NAME	QTY	MATERIAL	REMARK	
6	CONTACT PIN	1	C2680	Sn PLATED	
5	SHELL	1	SUS301	Ni PLATED	
4	STOPPER	1	SUS301		
3	PIN	1	H59	Ni PLATED	
2	SPRING	1	C5210	Sn PLATED	
1	HOUSING	1	PA9T	UL-94V0(BLACK)	
DWN	LILY	DATE	2022.06.13	NAME DC POWER JACK CAT. NO. DCD-020-185B	
CHKD	ANDY	DATE	2022.06.13		
APVD	JON	DATE	2022.06.13		
JKCR Electronics Co., Ltd.				DWN.NO. E-020-185	001

UNLESS OTHERWISE SPECIFIED, TOLERANCE ON DECIMAL: ±0.3