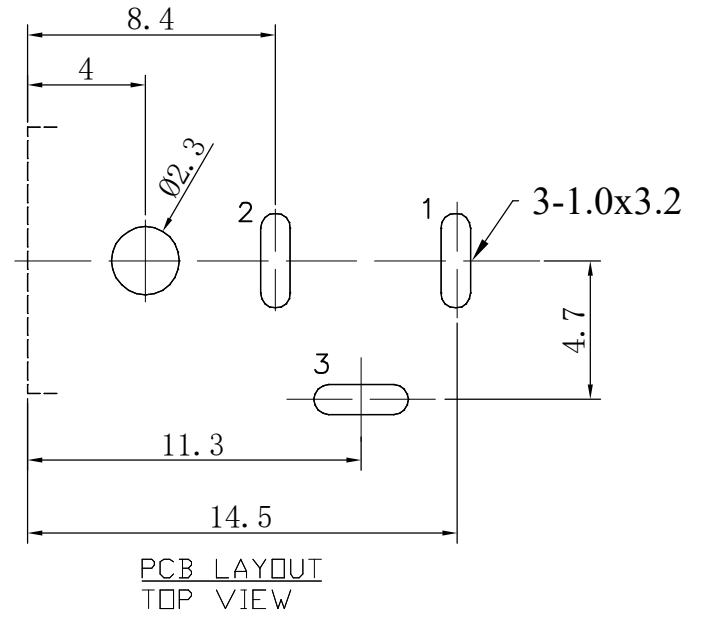
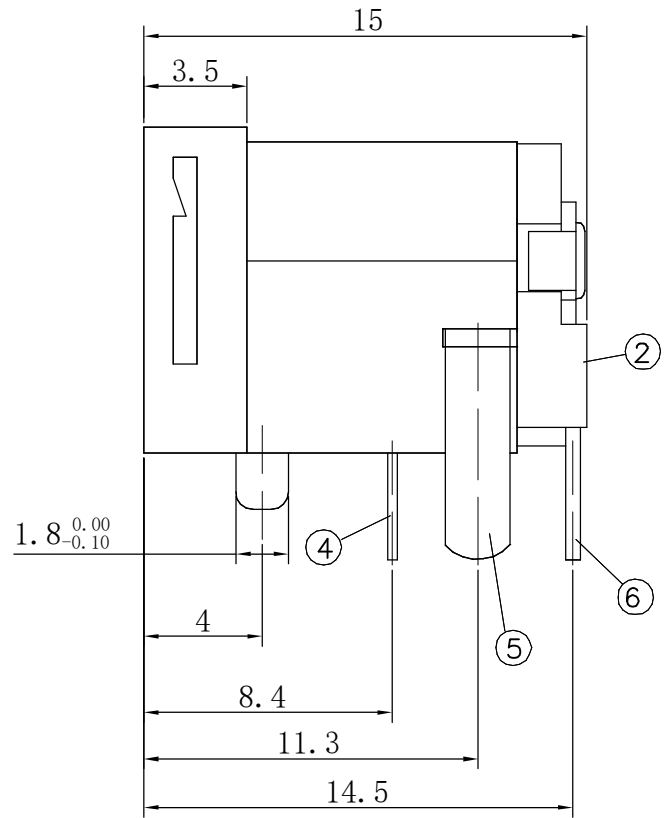
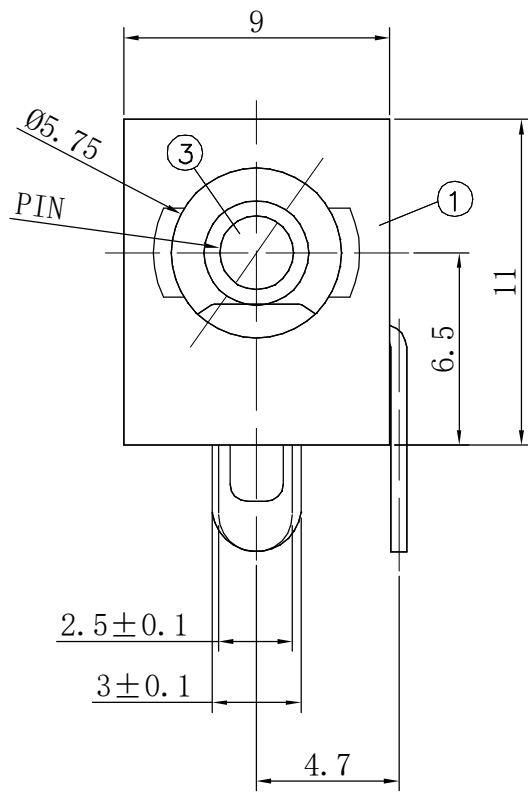


* RoHS COMPLIANT *

* REVISIONS				
LTR	DESCRIPTION	DATE	REVISED	APPROVED



CAT. NO.	PIN	SCHEMATIC
DCD-020-178A	∅2.0	
DCD-020-178B	∅2.5	

6	TERMINAL	1	C2680	t=0.5	Sn	PLATED
5	SHUNT TERMINAL	1	C2680	t=0.45	Sn	PLATED
4	TIP TERMINAL	1	C5191	t=0.3	Sn	PLATED
3	PIN	1	BRASS BAR		Ni	PLATED
2	COVER	1	PBT		UL-94V0	(BLACK)
1	BODY	1	PBT		UL-94V0	(BLACK)

LTR	PART NAME		QTY	MATERIAL		REMARK
DWN	LILY	DATE	2021.08.26	3RD ANGLE PROJECTION	NAME DC POWER JACK	
CHKD	ANDY	DATE	2021.08.26		CAT. NO. DCD-020-178	
APVD	JON	DATE	2021.08.26		UNIT: mm	DWN.NO. B-020-178
JKCR Electronics Co., Ltd.						002

UNLESS OTHERWISE SPECIFIED, TOLERANCE ON DECIMAL: ±0.3