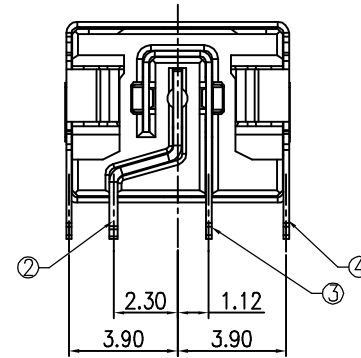
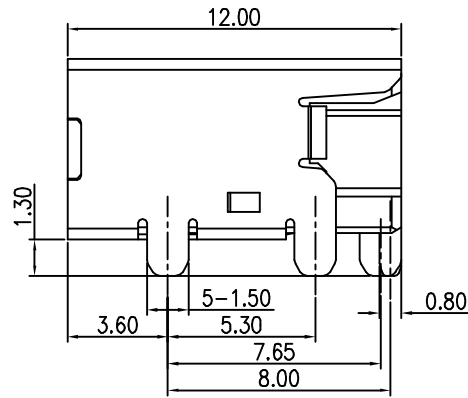
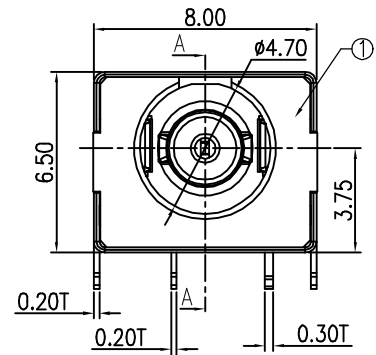
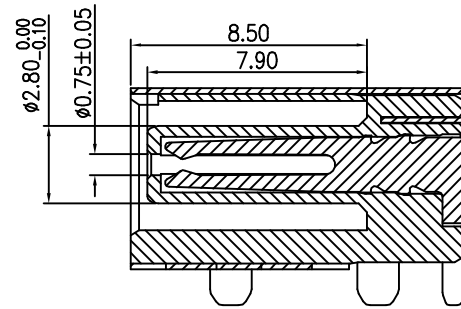
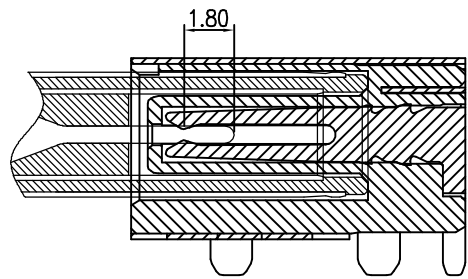


* RoHS COMPLIANT *

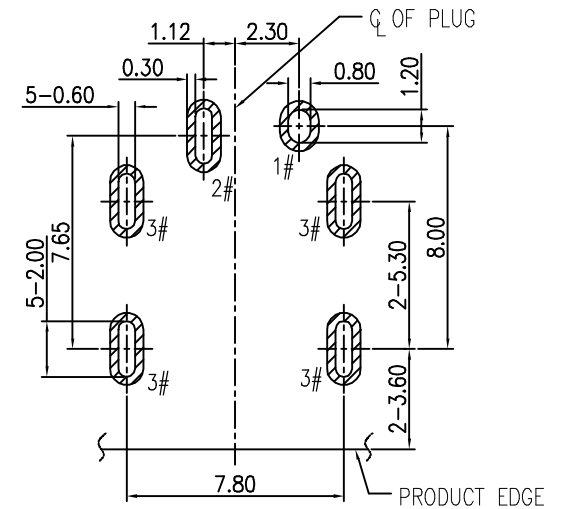
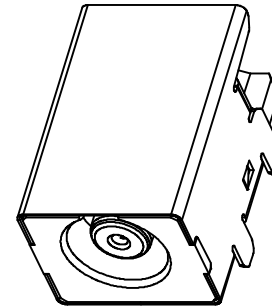


SPECIFICATION:

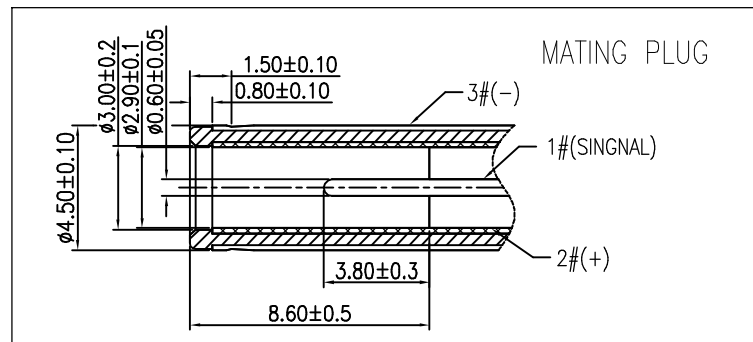
1. RATING: DC 20V 6.5A
2. CONTACT RESISTANCE: 30mΩ MAX.
3. INSULATION RESISTANCE: 100 MΩ MIN.
4. WITHSTAND VOLTAGE: 500 VAC
5. INSERTION FORCE: 30N MAX.
6. EXTRACTION FORCE: 6N MIN.
7. DURABILITY: 5,000 CYCLES



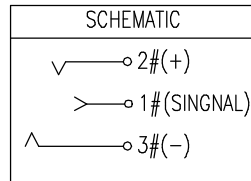
SECTION A-A



RECOMMENDED PCB LAYOUT
TOP VIEW TOLERANCE: ±0.05



MATING PLUG



UNLESS OTHERWISE SPECIFIED, TOLERANCE ON DECIMAL: ±0.3

* REVISIONS				
LTR	DESCRIPTION	DATE	REVISED	APPROVED

4	SHELL	1	C2680 0.2T	Ni PLATED
3	SPRING	1	C5210 0.2T	GOLD FLASH
2	CENTER PIN	1	C5210 0.3T	GOLD FLASH
1	HOUSING	1	LCP	UL94V-0(BLACK)
LTR	PART NAME	QTY	MATERIAL	REMARK
DWN	LILY	DATE	2020.07.28	3RD ANGLE PROJECTION
CHKD	ANDY	DATE	2020.07.28	UNIT: mm
APVD	JON	DATE	2020.07.28	
JKCR Electronics Co., Ltd.				NAME DC POWER JACK
				CAT. NO. DCD-020-173ABG
				DWN.NO. E-020-173
				001