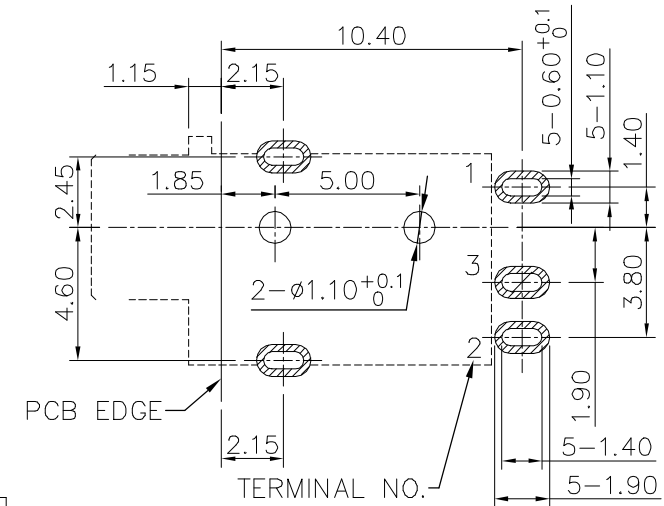
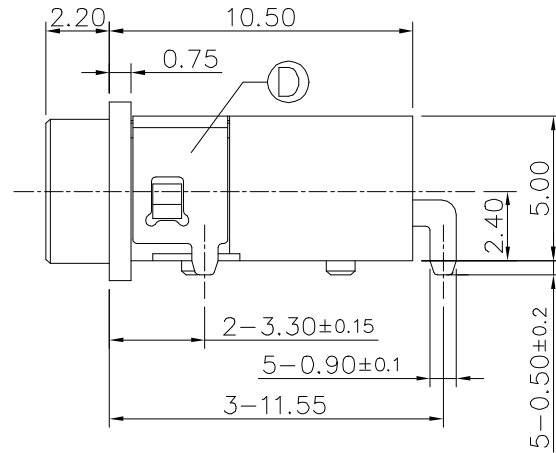
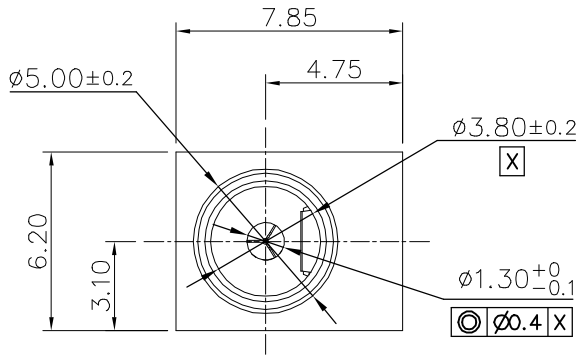
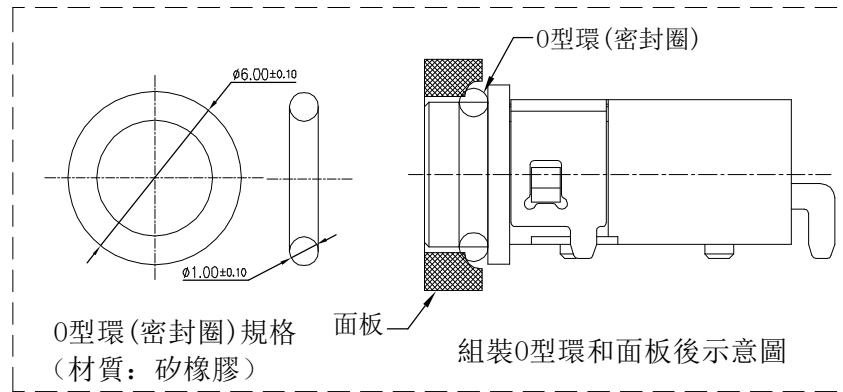
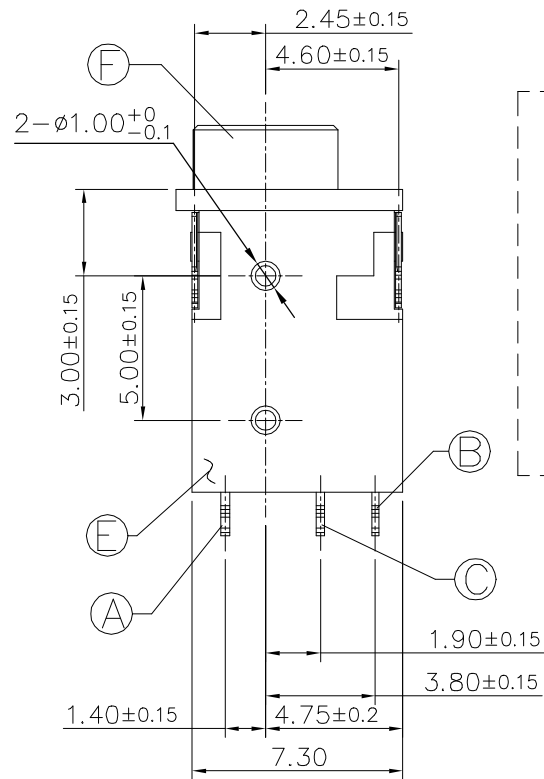


* RoHS COMPLIANT *



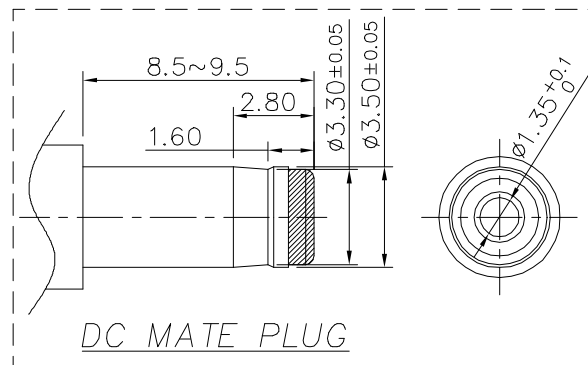
PCB HOLES(TOP VIEW) t=0.8mm
NOTE: GENERAL TOLERANCE: ±0.05mm



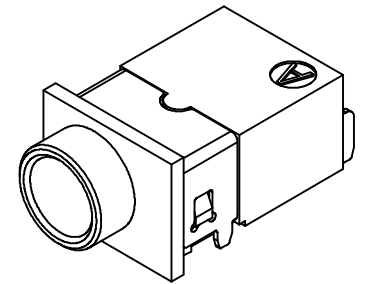
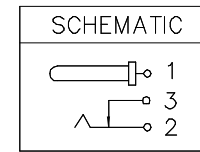
O型環(密封圈)規格
(材質: 矽橡膠)

面板

組裝O型環和面板後示意圖



DC MATE PLUG



UNLESS OTHERWISE SPECIFIED, TOLERANCE ON DECIMAL: ±0.3

* REVISIONS				
LTR	DESCRIPTION	DATE	REVISED	APPROVED

G	GULE	1	EPOXY RESIN	
F	HOUSING	1	PA10T	BLACK
E	COVER	1	PA10T	NATURE
D	SHIELD	1	C2680	Ni PLATED
C	TERMINAL #3	1	C2680	GOLD FLASH
B	TERMINAL #2	1	C5210	GOLD FLASH
A	TERMINAL #1	1	C5191	GOLD FLASH
LTR	PART NAME	QTY	MATERIAL	REMARK
DWN	LILY	DATE	2024.01.31	3RD ANGLE PROJECTION NAME DC POWER JACK
CHKD	ANDY	DATE	2024.01.31	CAT. NO. DCD-020-165-B
APVD	JON	DATE	2024.01.31	UNIT: mm DWN.NO. B-020-165
JKCR Electronics Co., Ltd.				001