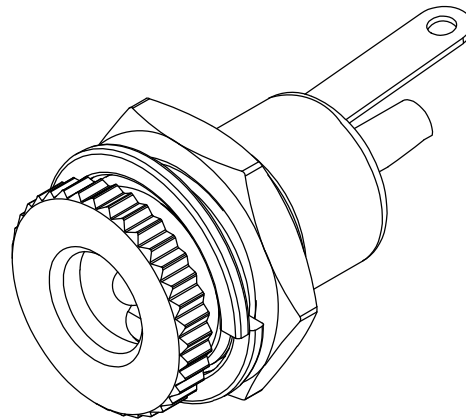
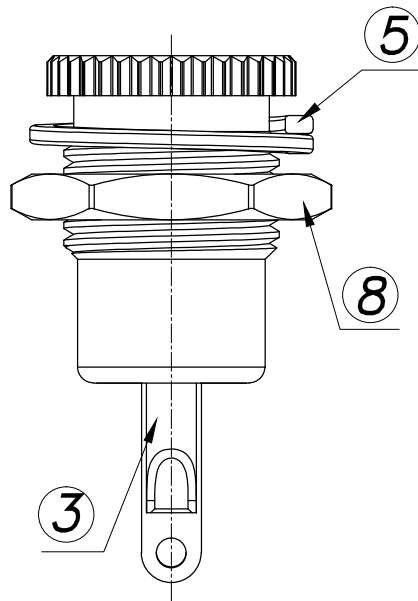
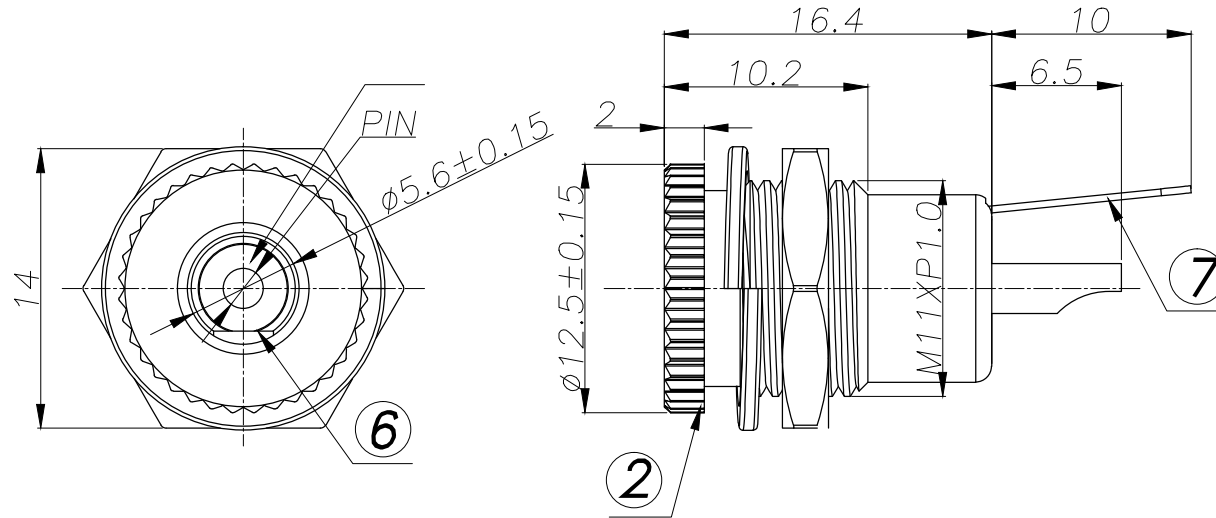


* RoHS COMPLIANT *

* REVISIONS

LTR	DESCRIPTION	DATE	REVISED	APPROVED



CAT. NO.	PIN	SCHEMATIC
DCD-020-164A	φ2.0	1
DCD-020-164B	φ2.5	2

NO.	DESCRIPTION	QTY	MATERIAL	REMARK
⑧	Nut	1	Copper&alloy	Nickel plating
⑦	Terminal-2	1	Brass	Tin plating
⑥	Terminal-1	1	Phosphor bronze	Tin plating
⑤	Washer-2	1	Copper&alloy	Nickel plating
④	Washer-1	1	Copper&alloy	Nickel plating
③	Center pin	1	Copper&alloy	Nickel plating
②	Bushing	1	Copper&alloy	Nickel plating
①	Housing	1	PA66	

NO.	DESCRIPTION	QTY	MATERIAL	REMARK	
DWN	LILY	DATE	2019.04.03	3RD ANGLE PROJECTION	
CHKD	ANDY	DATE	2019.04.02		
APVD	JDN	DATE	2019.04.02		
UNIT:mm				NAME	DC POWER JACK
				CAT NO.	DCD-020-164
JKCR Electronics Co., Ltd.				DWN.NO.	F-020-164
					001

UNLESS OTHERWISE SPECIFIED, TOLERANCE ON DECIMAL: ±0.3