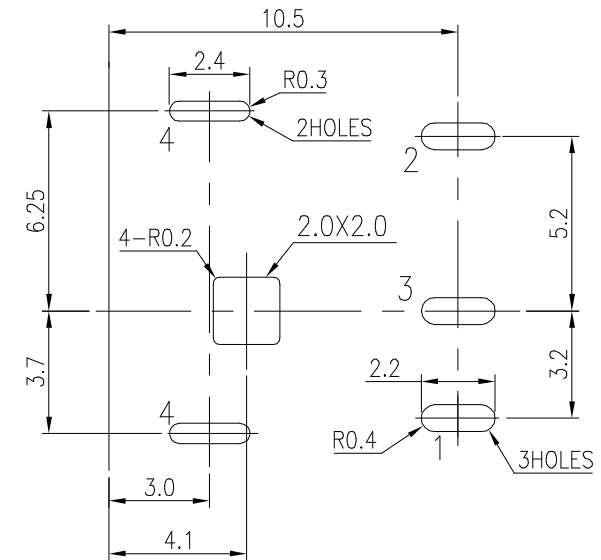
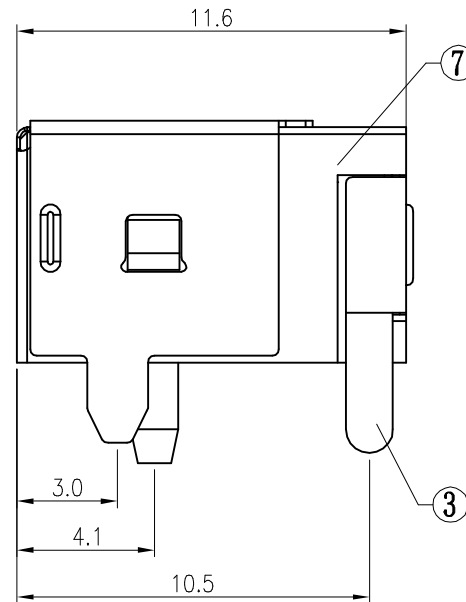
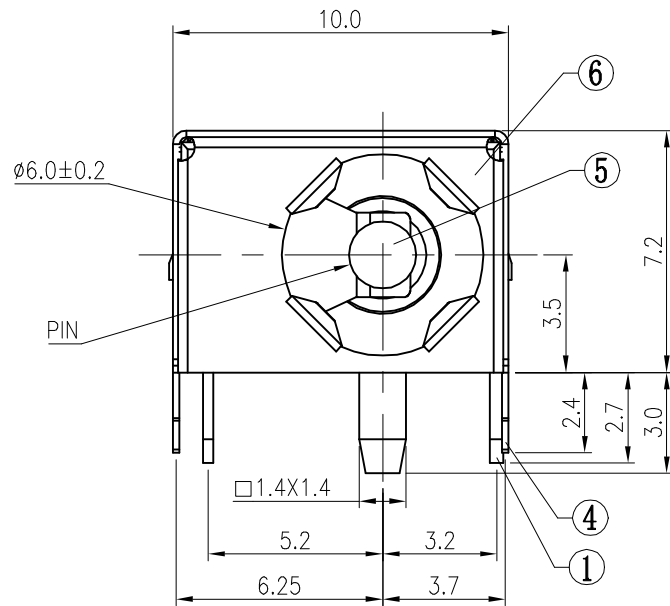


* REVISIONS				
LTR	DESCRIPTION	DATE	REVISED	APPROVED



T:1.6 Dimensions of PC board holes  
Tolerance : ±0.05(Printed-top view)

## LEAD FREE

CAT. NO.	PIN	SCHEMATIC
DCD-020-14MA	φ2.0	
DCD-020-14MB	φ2.5	

LTR	PART NAME	QTY	MATERIAL	REMARK
7	HOUSING	1	PBT 4815	UL-94V0(BLACK)
6	SEALED PLATE	1	SUS301 t=0.10	Ni PLATED
5	PIN	1	H59(COPPER ALLOY)	Ni PLATED
4	COAT FOOT	1	C2680 t=0.20	Ni PLATED
3	CURVE PIECE	1	C2680 t=0.30	Ag PLATED
2	SPRING PIECE	1	C5191 t=0.30	Ag PLATED
1	CONTACT FOOT	1	C2680 t=0.40	Ag PLATED

LTR	PART NAME	QTY	MATERIAL	REMARK
DWN	LILY	DATE	2019.03.28	NAME DC POWER JACK CAT. NO. DCD-020-14M DWN.NO. A-020-14M
CHKD	ANDY	DATE	2019.03.28	
APVD	JON	DATE	2019.03.28	
JKCR Electronics Co., Ltd.				UNIT: mm
				002

UNLESS OTHERWISE SPECIFIED, TOLERANCE ON DECIMAL: ±0.3