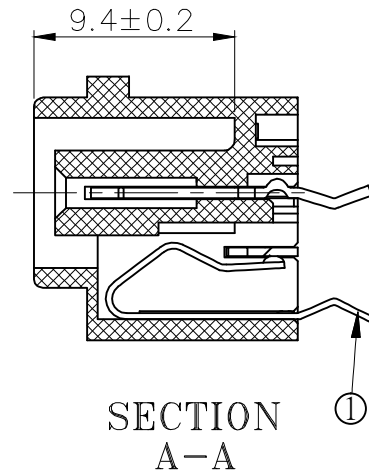
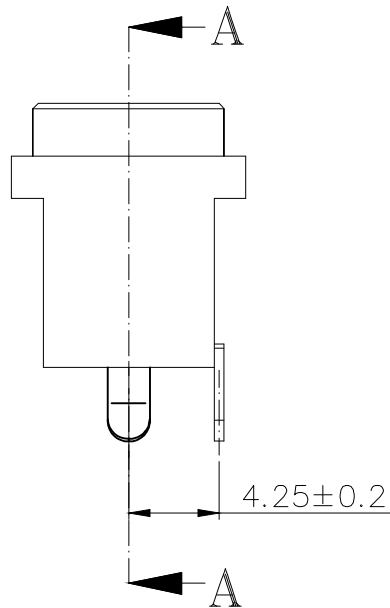
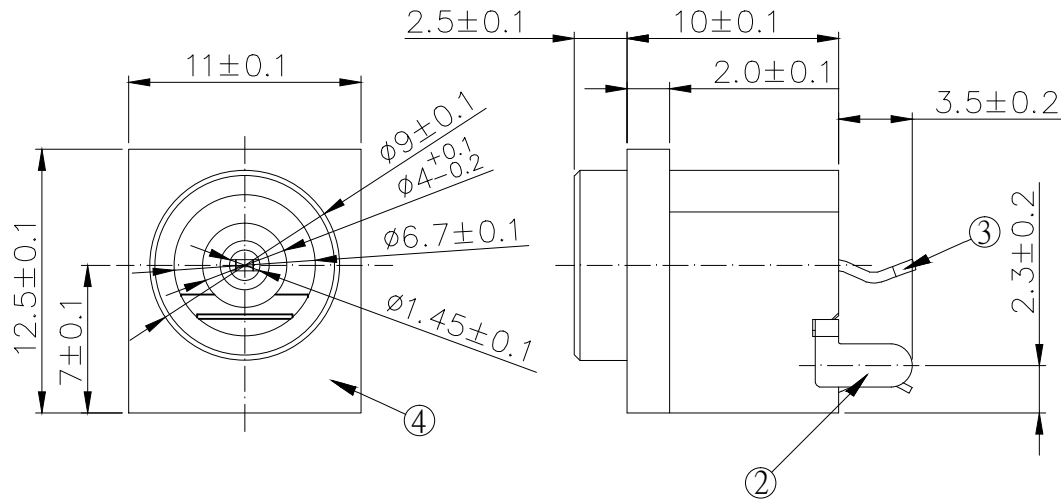
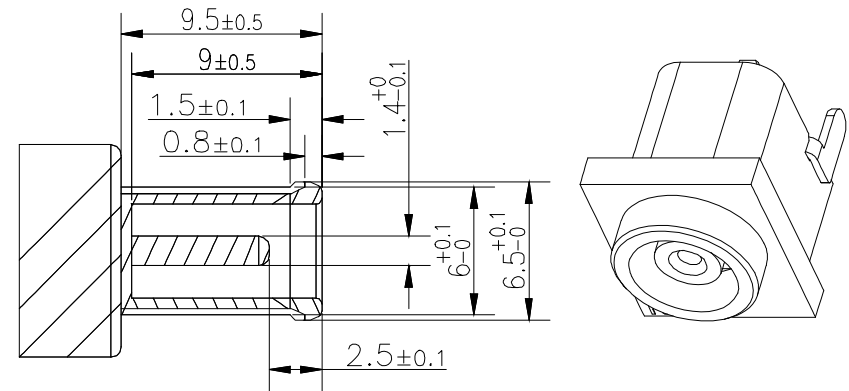


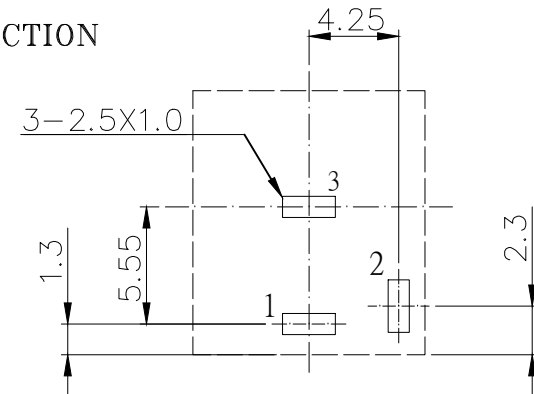
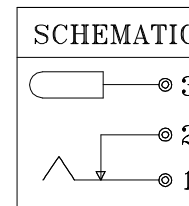
* RoHS COMPLIANT *



* REVISIONS				
LTR	DESCRIPTION	DATE	REVISED	APPROVED



PLUG SECTION



T:1.6 Dimensions of PC board holes

Tolerance : ±0.05(Printed-Top view)

4	HOUSING	1	PA66		UL94V-0(BLACK)
3	PIN TERMINAL	1	C2680	t=0.50	Sn PLATED
2	TERMINAL	1	C2680	t=0.40	Sn PLATED
1	SPRING TERMINAL	1	C5210	t=0.30	Sn PLATED
LTR	PART NAME	QTY	MATERIAL		REMARK
DWN	LILY	DATE	2019.03.18	3RD ANGLE PROJECTION	NAME DC POWER JACK
CHKD	ANDY	DATE	2019.03.18		CAT. NO. DCD-020-142
APVD	JON	DATE	2019.03.18	UNIT: mm	
JKCR Electronics Co., Ltd.					DWN.NO. B-020-142
					002

UNLESS OTHERWISE SPECIFIED, TOLERANCE ON DECIMAL: ±0.3