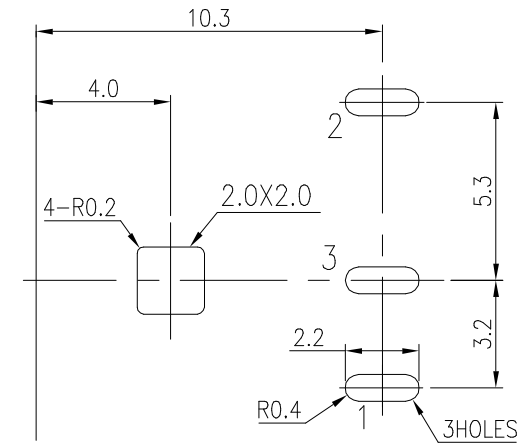
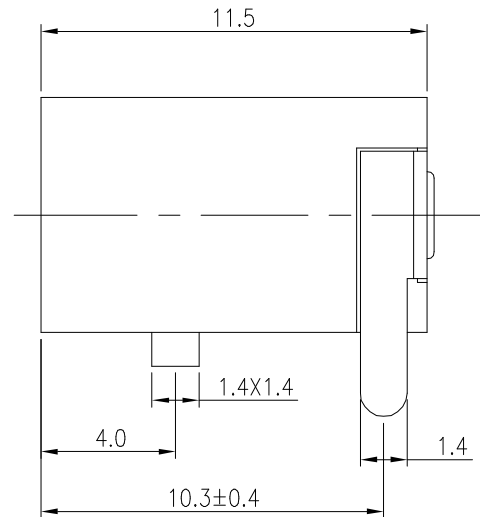
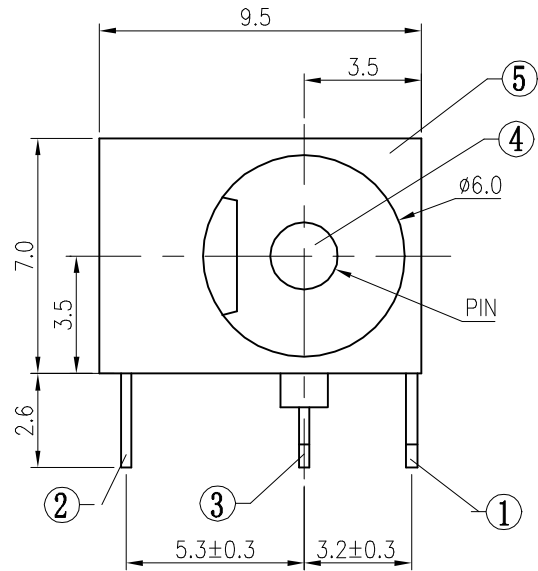
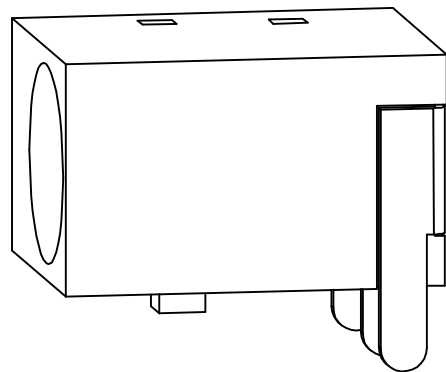


* RoHS COMPLIANT *

* REVISIONS				
LTR	DESCRIPTION	DATE	REVISED	APPROVED



T:1.6 Dimensions of PC board holes
Tolerance : ±0.05(Printed-top view)



CAT. NO.	PIN	SCHEMATIC
DCD-020-14A	φ2.0	1
DCD-020-14B	φ2.5	3

5	HOUSING	1	PBT4815	UL94V-0(BLACK)
4	PIN	1	H59(COPPER ALLOY)	Ni PLATED
3	CURVE PIECE	1	C2680 t=0.30	Ag PLATED
2	SPRING PIECE	1	C5191 t=0.30	Ag PLATED
1	CONTACT FOOT	1	C2680 t=0.40	Ag PLATED

LTR	PART NAME	QTY	MATERIAL	REMARK
DWN	LILY	DATE	2021.05.26	3RD ANGLE PROJECTION NAME DC POWER JACK CAT. NO. DCD-020-14 DWN.NO. A-020-14
CHKD	ANDY	DATE	2021.05.26	
APVD	JON	DATE	2021.05.26	
JKCR Electronics Co., Ltd.				003

UNLESS OTHERWISE SPECIFIED, TOLERANCE ON DECIMAL: ±0.3