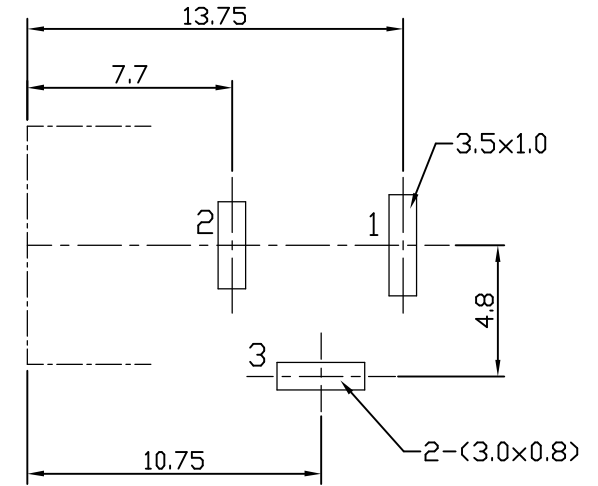
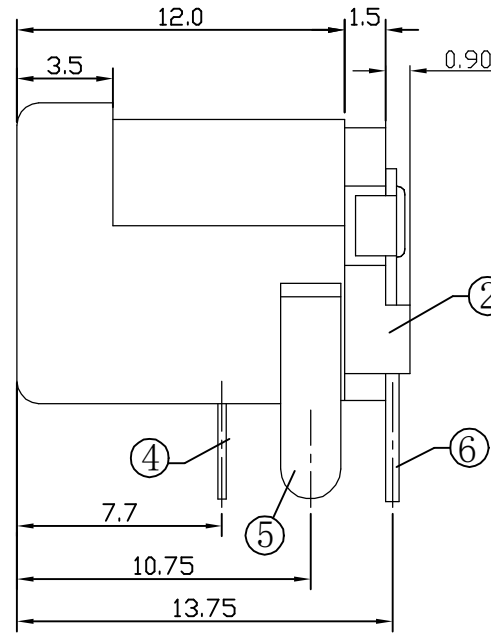
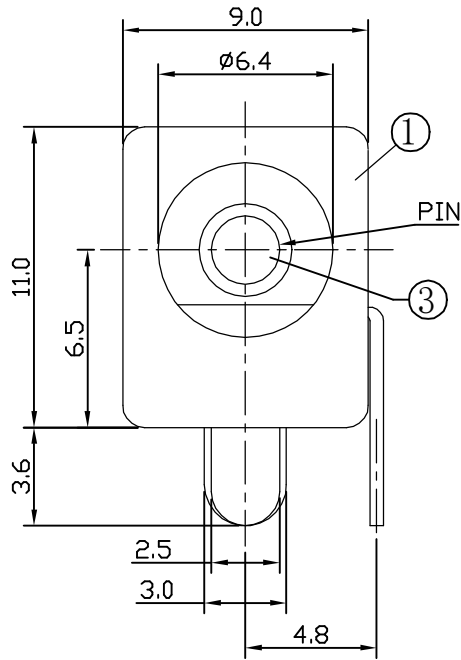


* RoHS COMPLIANT *

* REVISIONS

LTR	BDESCRIPTION	DATE	REVISED	APPROVED



T:1.6 Dimensions of PC board holes
Tolerance : ± 0.05 (Printed-top view)

CAT. NO.	PIN	SCHEMATIC
DCD-020-139A	$\phi 2.0$	
DCD-020-139B	$\phi 2.5$	

6	TERMINAL	1	C2680	t=0.5	Sn PLATED
5	SHUNT TERMINAL	1	C2680	t=0.45	Sn PLATED
4	TIP TERMINAL	1	C5191	t=0.3	Sn PLATED
3	PIN	1	BRASS BAR		Ni PLATED
2	COVER	1	PBT		UL-94V0(BLACK)
1	BODY	1	PBT		UL-94V0(BLACK)

LTR	PART NAME		QTY	MATERIAL		REMARK
DWN	LILY	DATE	2020.12.04	3RD ANGLE PROJECTION	NAME DC POWER JACK	
CHKD	ANDY	DATE	2020.12.04	UNIT: mm	CAT. NO. DCD-020-139	
APVD	JON	DATE	2020.12.04	JKCR Electronics Co., Ltd.		DWN.NO. B-020-139 003

UNLESS OTHERWISE SPECIFIED, TOLERANCE ON DECIMAL: ± 0.3