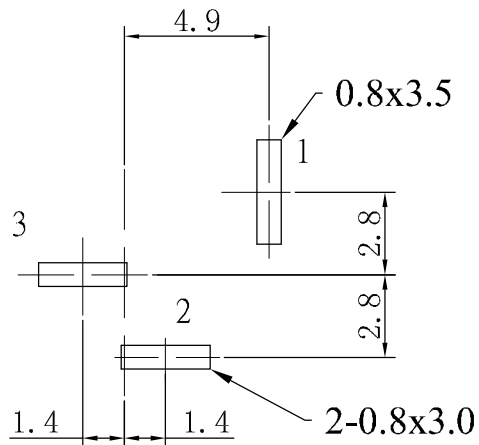
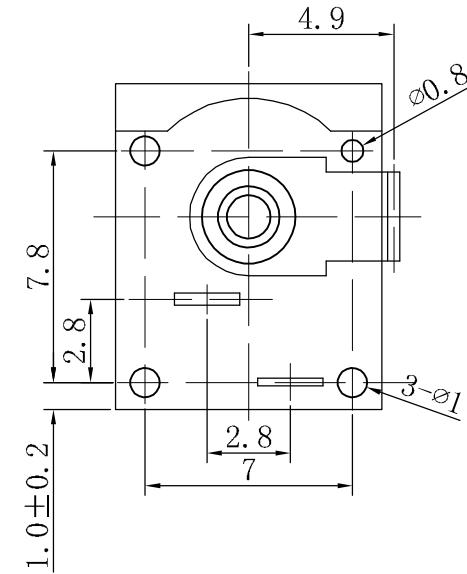
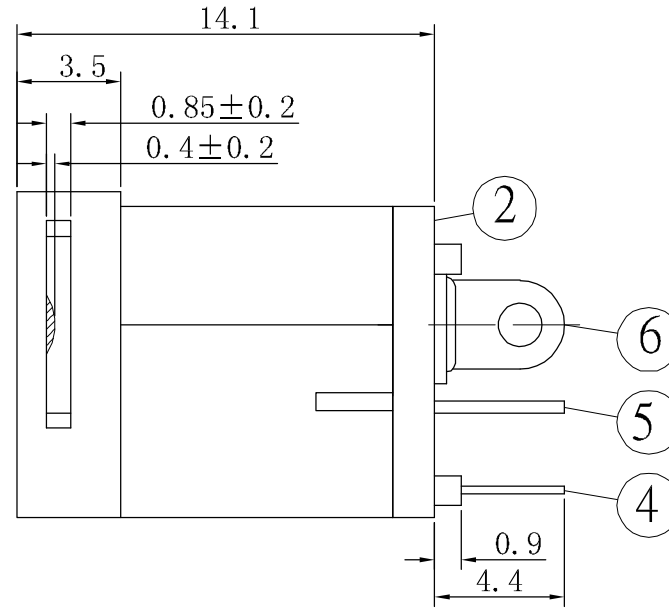
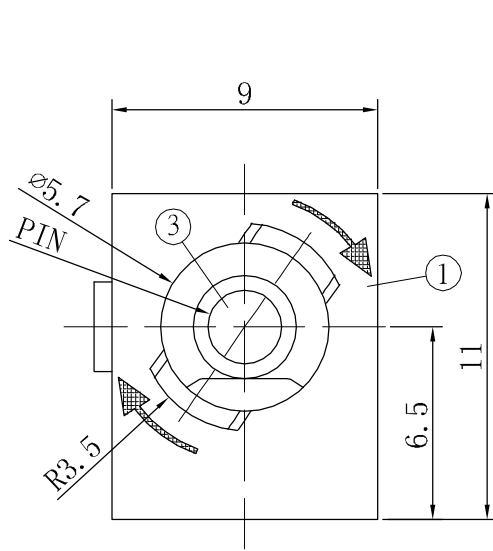


* RoHS COMPLIANT *

* REVISIONS				
LTR	DESCRIPTION	DATE	REVISED	APPROVED



P.C.B. LAYOUT
Bottom View

CAT. NO.	PIN	SCHEMATIC
DCD-020-136A	ø2.0	
DCD-020-136B	ø2.5	

6	TERMINAL	1	C2680	t=0.4	Sn	PLATED
5	SHUNT TERMINAL	1	C2680	t=0.4	Sn	PLATED
4	TIP TERMINAL	1	C5191	t=0.25	Sn	PLATED
3	PIN	1	BRASS BAR		Ni	PLATED
2	COVER	1	PBT			UL-94V0(BLACK)
1	BODY	1	PBT			UL-94V0(BLACK)

LTR	PART NAME	QTY	MATERIAL	REMARK
DWN	LILY	DATE	2019.10.25	3RD ANGLE PROJECTION NAME DC POWER JACK
CHKD	ANDY	DATE	2019.10.25	
APVD	JON	DATE	2019.10.25	
			UNIT: mm	CAT. NO. DCD-020-136

UNLESS OTHERWISE SPECIFIED, TOLERANCE ON DECIMAL: ±0.3

JKCR Electronics Co., Ltd.

DWN.NO.
B-020-136 002