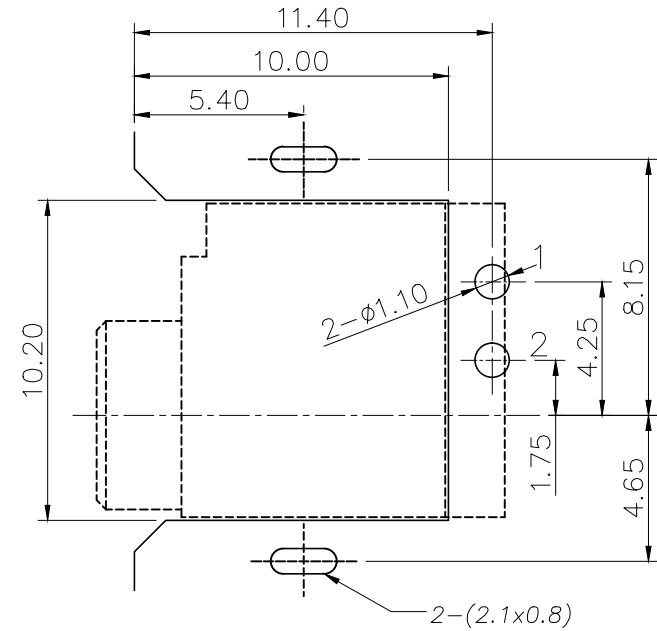
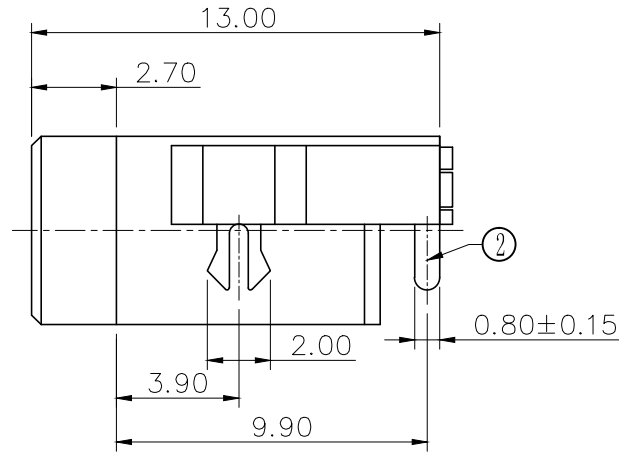
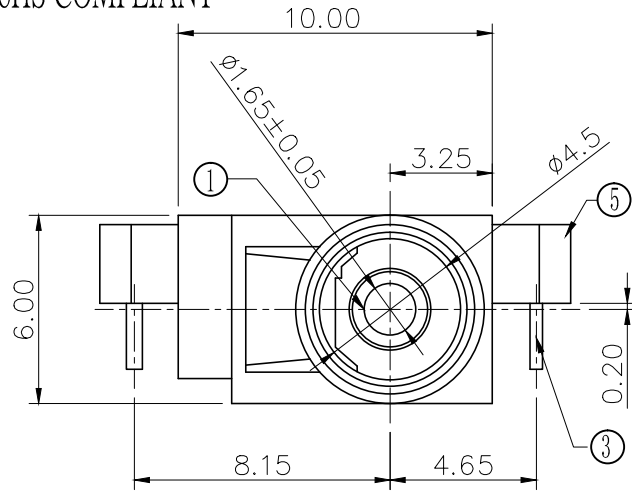
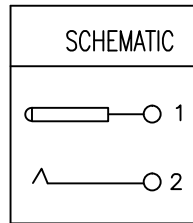
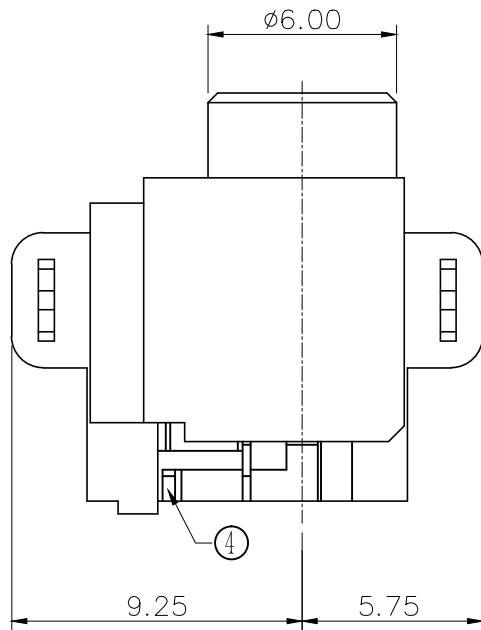


* RoHS COMPLIANT *



PCB HOLES(TOP VIEW) t=1.6mm
NOTE: GENERAL TOLERANCE: ±0.05mm



* REVISIONS				
LTR	DESCRIPTION	DATE	REVISED	APPROVED

5	HOUSING	1	PA9T	UL-94V0(BLACK)
4	CENTER PIN TERMINAL	1	C2680 t=0.40	Sn PLATED
3	HOOK	1	C2680 t=0.50	Sn PLATED
2	TIP SPRING	1	C5191 t=0.25	Ni PLATED
1	CENTER PIN	1	H59(COPPER ALLOY)	Sn PLATED

LTR	PART NAME	QTY	MATERIAL	REMARK
DWN	LILY	DATE	2019.07.08	3RD ANGLE PROJECTION NAME DC POWER JACK CAT. NO. DCD-020-131
CHKD	ANDY	DATE	2019.07.08	
APVD	JON	DATE	2019.07.08	

JKCR Electronics Co., Ltd.				DWN.NO. F-020-131	002
----------------------------	--	--	--	----------------------	-----

UNLESS OTHERWISE SPECIFIED, TOLERANCE ON DECIMAL: ±0.3