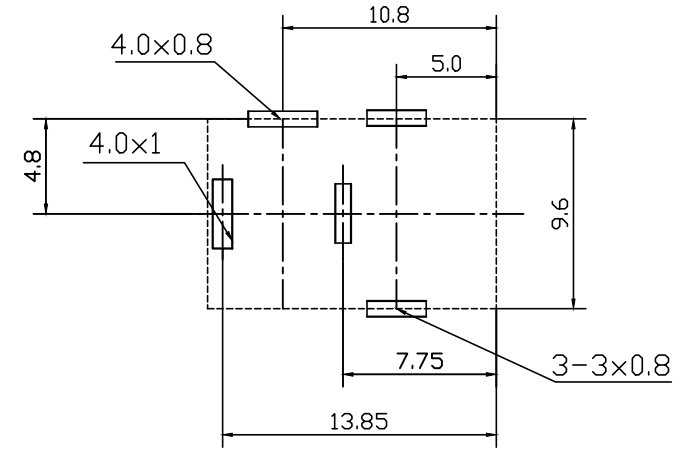
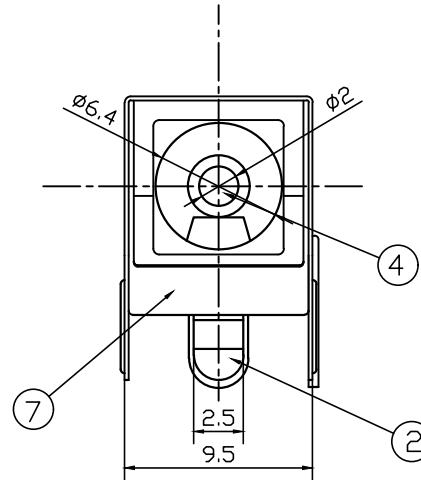
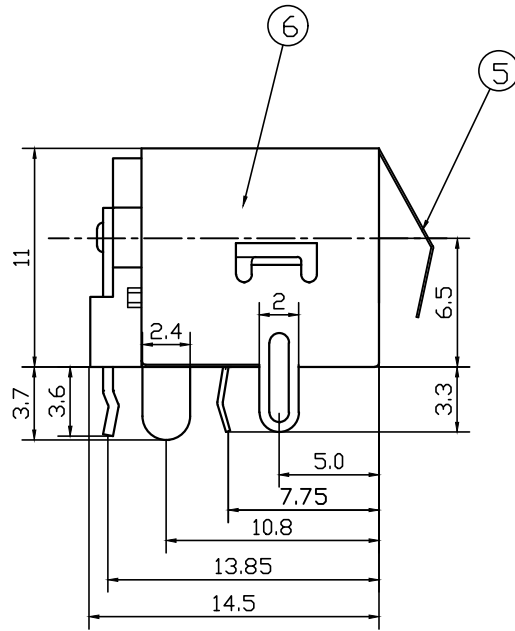
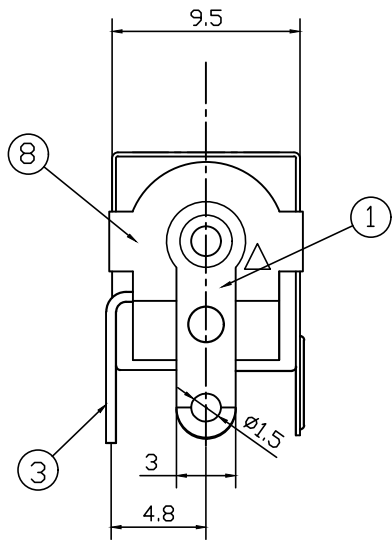
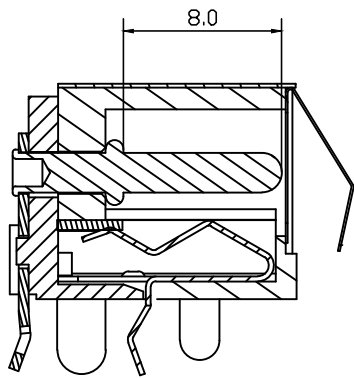


* RoHS COMPLIANT *

* REVISIONS				
LTR	DESCRIPTION	DATE	REVISED	APPROVED



T:1.6 Dimensions of PC board holes
Tolerance : ±0.05(Printed-bottom view)



CAT. NO.	PIN	SCHEMATIC
DCD-020-130A	∅2.0	1
DCD-020-130B	∅2.5	2
		3

8	COVER	1	PBT 4815	UL-94V0(BLACK)
7	HOUSING	1	PBT 4815	UL-94V0(BLACK)
6	GROUND SHIELD	1	C2680 t=0.20	Ni PLATED
5	SHIELD PLATE	1	SUS301 t=0.10	
4	PIN	1	H59(COPPER ALLOY)	Sn PLATED
3	CURVE PIECE	1	C2680 t=0.35	Ag PLATED
2	SPRING	1	C5191 t=0.50	Ag PLATED
1	FLAT PIECE	1	C2680 t=0.50	Ag PLATED
LTR	PART NAME	QTY	MATERIAL	REMARK
DWN	LILY	DATE	2016.12.12	3RD ANGLE PROJECTION
CHKD	ANDY	DATE	2016.12.12	
APVD	JON	DATE	2016.12.12	UNIT: mm
JKCR Electronics Co., Ltd.				NAME DC POWER JACK
				CAT. NO. DCD-020-130
				DWN.NO. A-020-130
				001

UNLESS OTHERWISE SPECIFIED, TOLERANCE ON DECIMAL: ±0.3