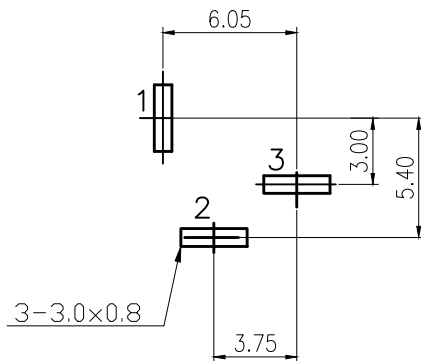
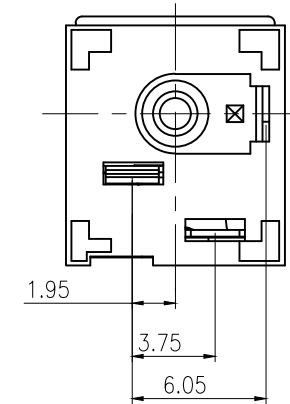
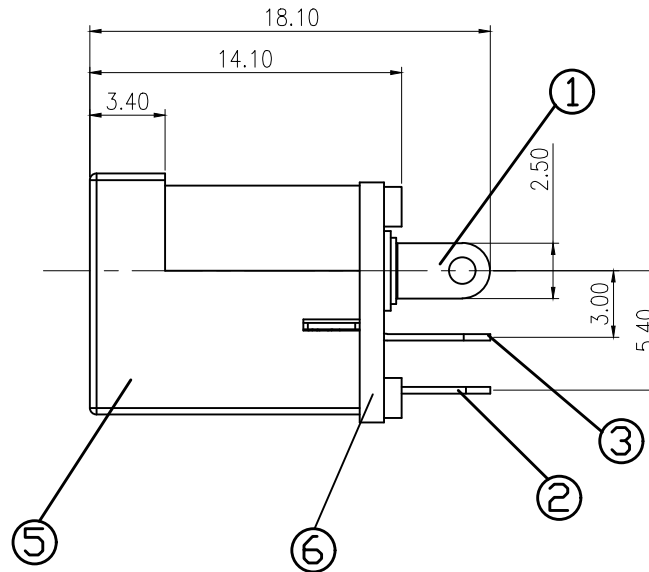
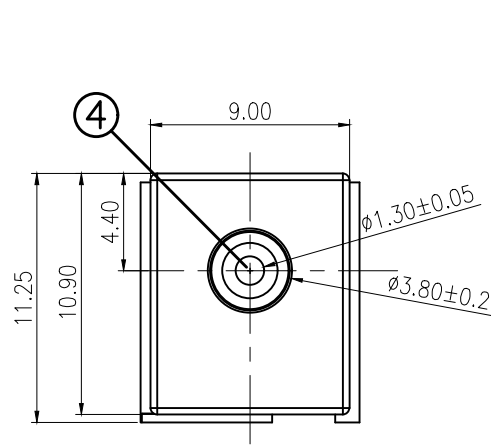


\* RoHS COMPLIANT \*

\* REVISIONS

LTR	DESCRIPTION	DATE	REVISED	APPROVED



T:1.6 Dimensions of PC board holes  
Tolerance : ±0.05(Printed-top view)

UNLESS OTHERWISE SPECIFIED, TOLERANCE ON DECIMAL: ±0.3

CAT. NO.	PIN	SCHEMATIC
DCD-020-126A	φ1.0	

6	COVER	1	PBT	BLACK
5	HOUSING	1	PBT	BLACK
4	PIN	1	H59(COPPER ALLOY)	Cu/Sn PLATED
3	CONTACT FOOT	1	C2680 t=0.30	Sn PLATED
2	SPRING PIECE	1	C5191 t=0.30	Sn PLATED
1	FLAT PIECE	1	C2680 t=0.30	Sn PLATED
LTR	PART NAME	QTY	MATERIAL	REMARK
DWN	LILY	DATE	2016.10.13	NAME DC POWER JACK CAT. NO. DCD-020-126A DWN.NO. A-020-126 001
CHKD	ANDY	DATE	2016.10.13	
APVD	JON	DATE	2016.10.13	
JKCR Electronics Co., Ltd.				