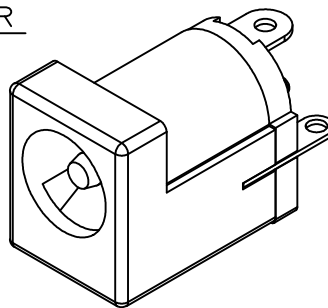
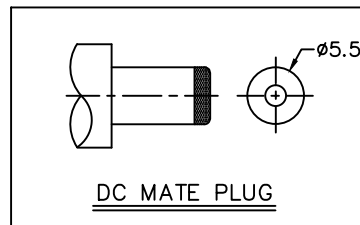
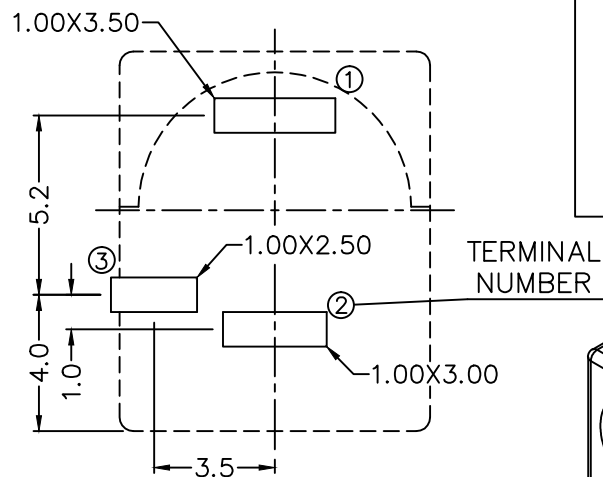
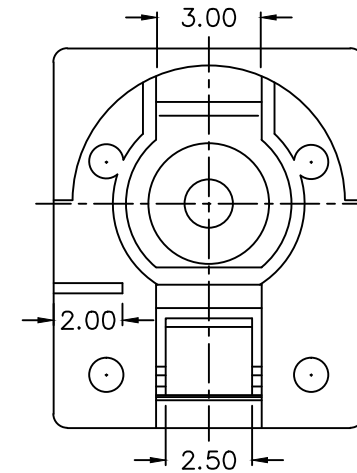
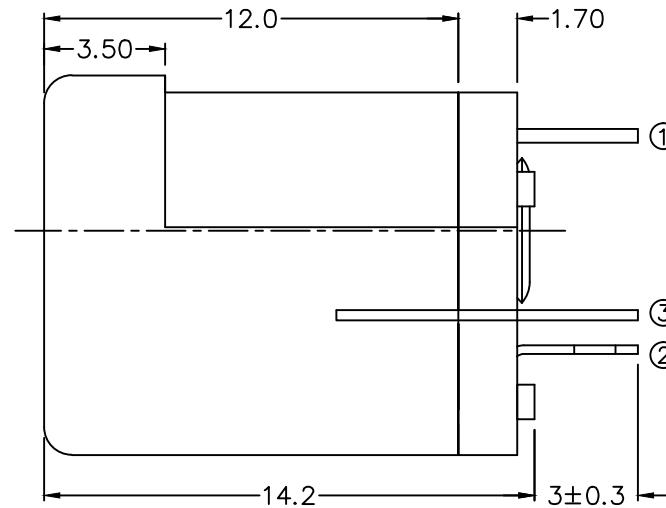
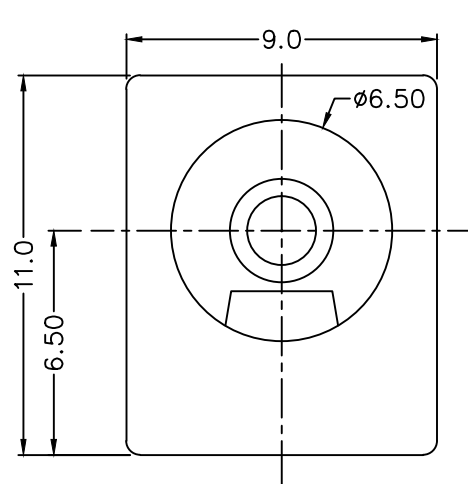


| * REVISIONS | | | | |
|-------------|-------------|------|---------|----------|
| LTR | DESCRIPTION | DATE | REVISED | APPROVED |
| | | | | |



| CAT. NO. | PIN | SCHEMATIC |
|----------------|------|-----------|
| DCD-020-117A-E | φ2.0 | |
| DCD-020-117B-E | φ2.5 | |

LEAD FREE

| | | | | |
|---|------------|---|-------------------|----------------|
| 6 | CENTER PIN | 1 | H59(COPPER ALLOY) | Ni PLATED |
| 5 | TERMINAL 3 | 1 | BRASS | Sn PLATED |
| 4 | TERMINAL 2 | 1 | COPPER ALLOY | Sn PLATED |
| 3 | TERMINAL 1 | 1 | BRASS | Sn PLATED |
| 2 | COVER | 1 | PBT | UL-94V0(BLACK) |
| 1 | HOUSING | 1 | PBT | UL-94V0(BLACK) |

| LTR | PART NAME | QTY | MATERIAL | REMARK |
|------|-----------|------|------------|---|
| DWN | LILY | DATE | 2019.04.10 | 3RD ANGLE PROJECTION NAME DC POWER JACK |
| CHKD | ANDY | DATE | 2019.04.10 | CAT. NO. DCD-020-117X-E |
| APVD | JON | DATE | 2019.04.10 | UNIT: mm DWN.NO. E-020-117 001 |

T:1.6 Dimensions of PC board holes
Tolerance : ±0.05(Printed-Bottom view)

UNLESS OTHERWISE SPECIFIED, TOLERANCE ON DECIMAL: ±0.3

JKCR Electronics Co., Ltd.