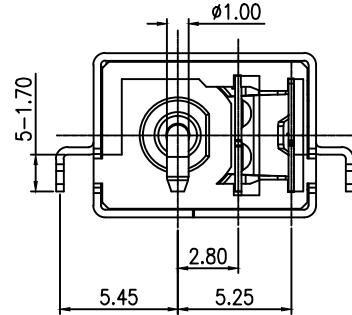
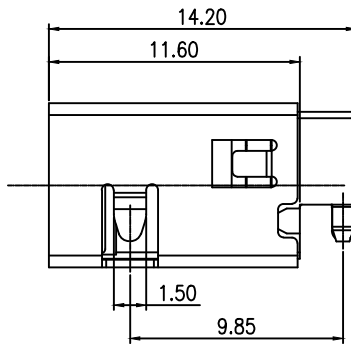
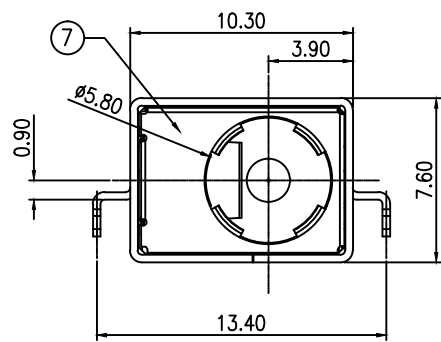
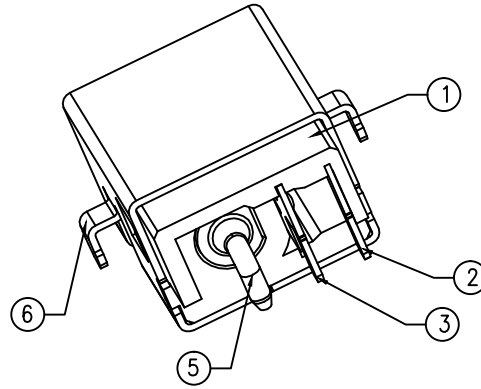
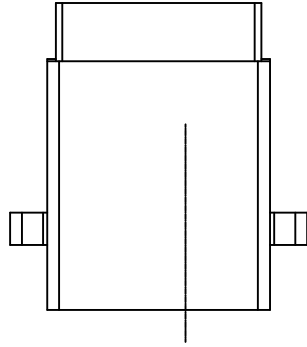
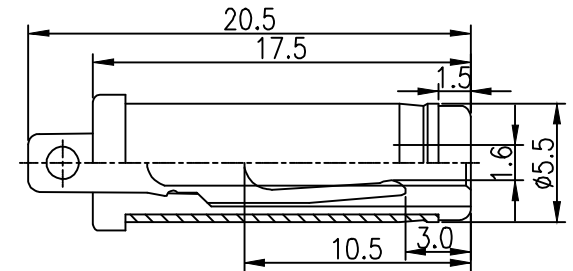


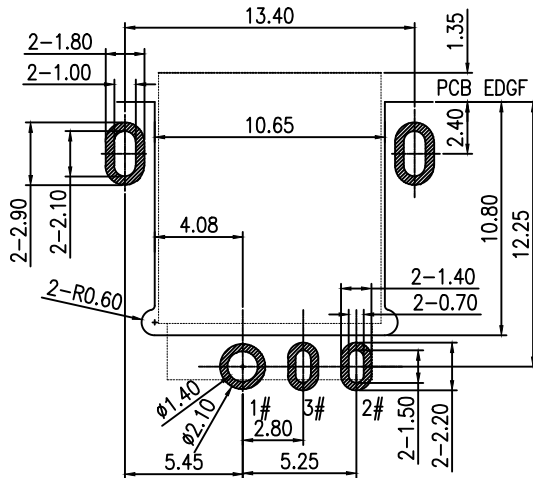
\* HALOGEN FREE \*



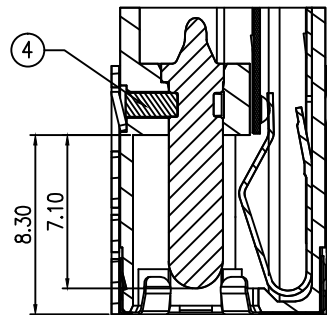
CAT. NO.	PIN	SCHEMATIC
DCD-020-116AF	$\phi 2.0$	



MATING PLUG  $\phi 5.50$



RECOMMEND P.C.B LAYOUT  
TOP VIEW (TOLERANCES:0.05)



SPECIFICATIONS:

- ELECTRICAL CHARACTERISTICS:
  - RATING:
  - CONTACT RESISTANCE: 30m $\Omega$  MAX.(INITIAL)
  - DIELECTRIC WITHSTANDING VOLTAGE: 500V AC FOR ONE MINUTE
  - INSULATION RESISTANCE: 100M $\Omega$  MIN. MEASURED BY 500V DC
- MECHANICAL CHARACTERISTICS:
  - INSERTION FORCE : 0.3~3.0 KGF
  - WITHDRAWAL FORCE : 0.3~3.0 KGF
- LIFE TEST: 5,000 CYCLES MIN.
- FOR REFLOW SOLDERING LEAD-FREE PROCESS.

LTR	PART NAME	QTY	MATERIAL	REMARK
7	GROUNDING	1	SUS t=0.10	N/A
6	SHIELDING	1	BRASS t=0.35	Ni(60u") PLATED
5	PIN	1	BRASS BAR	Ni(50u") PLATED
4	STOPPER	1	SUS t=0.30	CLEANING
3	SHUNT TERMINAL	1	BRASS STRIP t=0.30	Ag(20u") OVER Ni(20U")
2	TIP SPRING	1	COPPER ALLOY t=0.25	Ag(20u") OVER Ni(20U")
1	HOUSING	1	HIGH TEMP.THFRMOPLASTIC	UL94V-0(BLACK)

DWN	LILY	DATE	2018.08.09	3RD ANGLE PROJECTION	NAME	DC POWER JACK	
CHKD	ANDY	DATE	2018.08.09		CAT. NO.		DCD-020-116AF
APVD	JON	DATE	2018.08.09		UNIT: mm		

JKCR Electronics Co., Ltd.

DWN.NO. A-020-116 002

UNLESS OTHERWISE SPECIFIED, TOLERANCE ON DECIMAL:  $\pm 0.3$