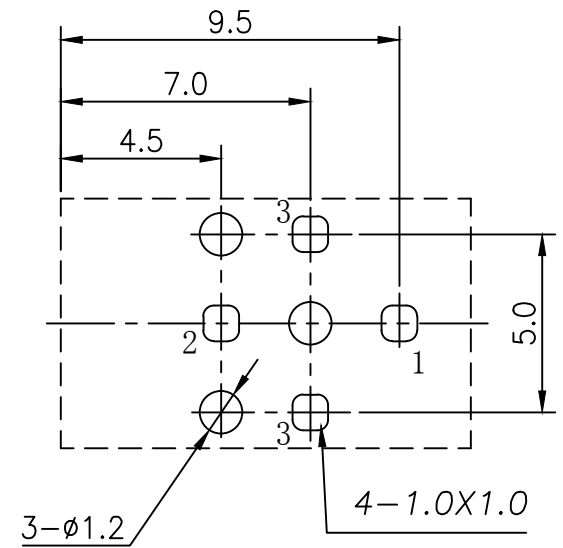
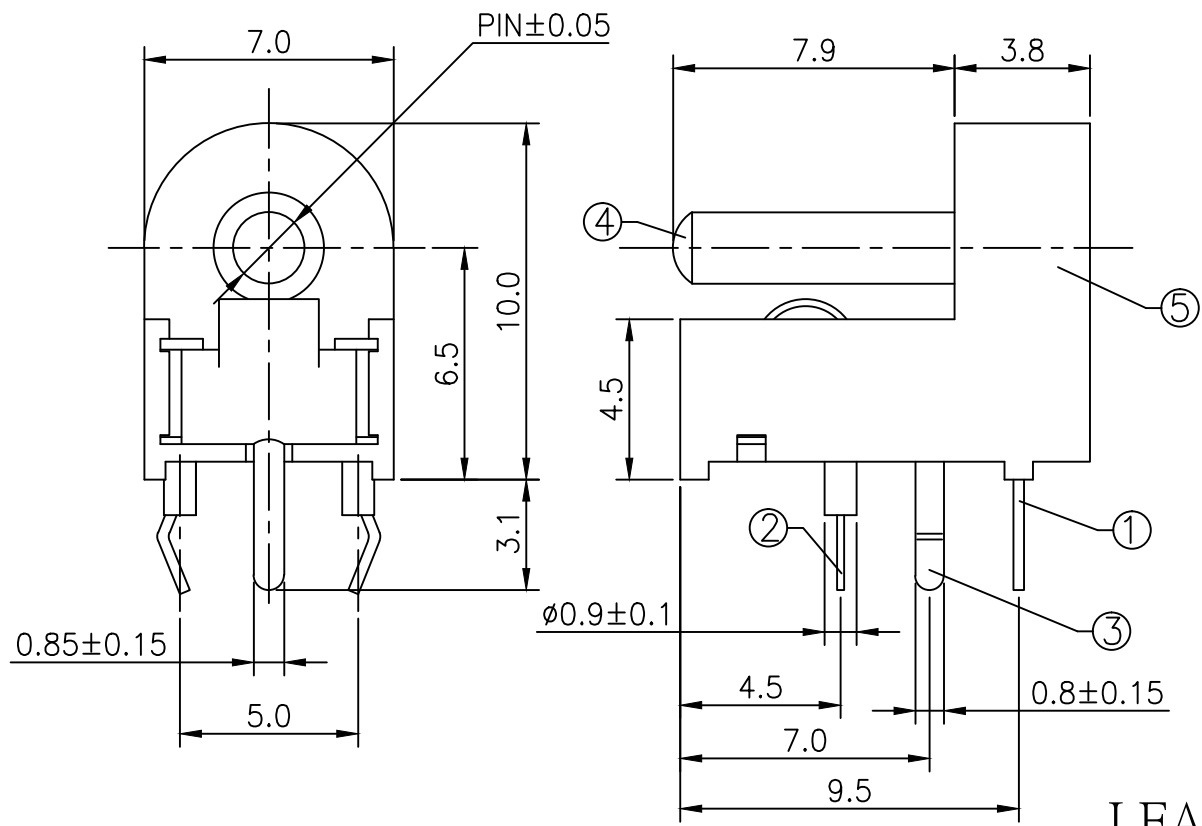


* REVISIONS				
LTR	DESCRIPTION	DATE	REVISED	APPROVED



T:1.6 Dimensions of PC board holes  
Tolerance : ±0.1(Printed-top view)

LEAD FREE

CAT. NO.	PIN	SCHEMATIC
DCD-020-112A	φ2.0	
DCD-020-112B	φ2.5	

UNLESS OTHERWISE SPECIFIED, TOLERANCE ON DECIMAL: ±0.3

5	HOUSING	1	PA66	BLACK
4	CENTER PIN	1	H59(COPPER ALLOY)	Ni PLATED
3	SHUNT TERMINAL	1	C2680 t=0.30	Ag PLATED
2	TIP SPRING	1	C5191 t=0.25	Ag PLATED
1	CENTER PIN TERMINAL	1	C2680 t=0.30	Ag PLATED
LTR	PART NAME	QTY	MATERIAL	REMARK
DWN	LILY	DATE	2014.06.04	3RD ANGLE PROJECTION NAME DC POWER JACK CAT. NO. DCD-020-112 DWN.NO. F-020-112 001
CHKD	ANDY	DATE	2014.06.04	
APVD	JON	DATE	2014.06.04	
JKCR Electronics Co., Ltd.				UNIT: mm