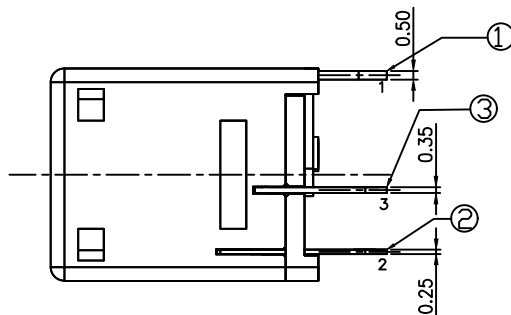
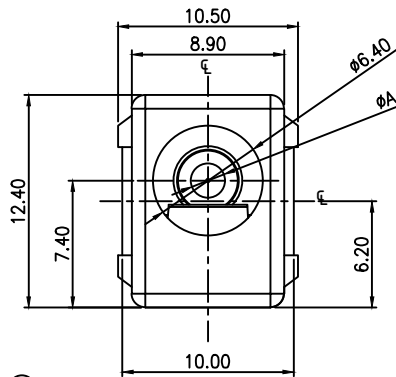
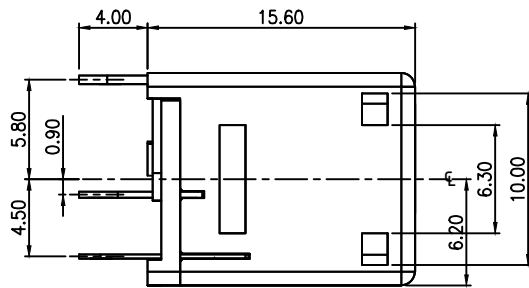
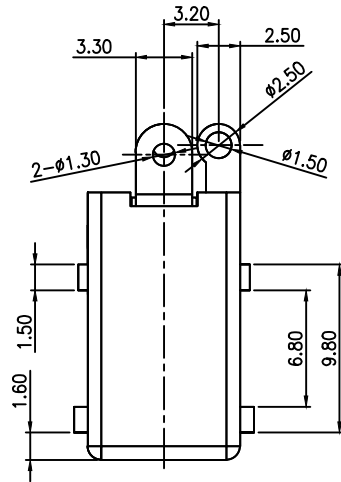
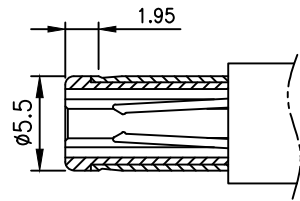
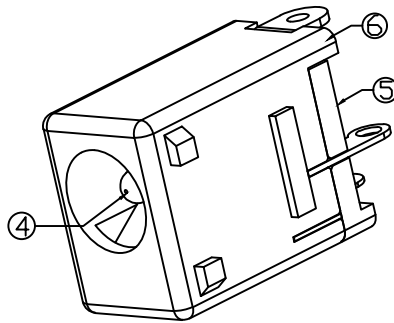


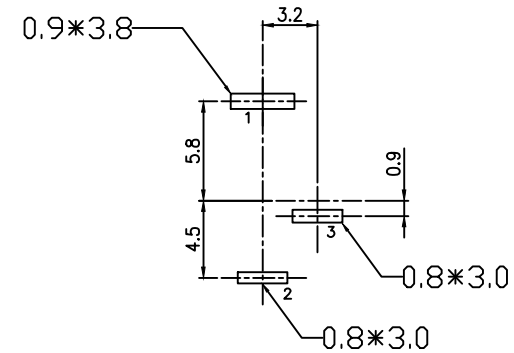
* RoHS COMPLIANT *

* REVISIONS

LTR	DESCRIPTION	DATE	REVISED	APPROVED



CAT. NO.	PIN	SCHEMATIC
DCD-020-109A	02.0	
DCD-020-109B	02.5	
DCD-020-109C	01.65	



T:1.6 Dimensions of PC board holes
Tolerance : ±0.05(Printed-top view)

UNLESS OTHERWISE SPECIFIED, TOLERANCE ON DECIMAL: ±0.3

6	HOUSING	1	PBT	UL94V-0
5	COVER	1	PA9T	UL94V-0
4	CENTER PING	1	COPPER ALLOY	Ni PLATED
3	TERMINAL	1	C2680	Sn PLATED
2	TERMINAL	1	C2680	Sn PLATED
1	TERMINAL	1	C2680	Sn PLATED
LTR	PART NAME	QTY	MATERIAL	REMARK
DWN	LILY	DATE	2013.05.31	3RD ANGLE PROJECTION NAME DC POWER JACK
CHKD	ANDY	DATE	2013.05.31	
APVD	JON	DATE	2013.05.31	UNIT: mm CAT. NO. DCD-020-109
JKCR Electronics Co., Ltd.				DWN.NO. E-020-109
				001