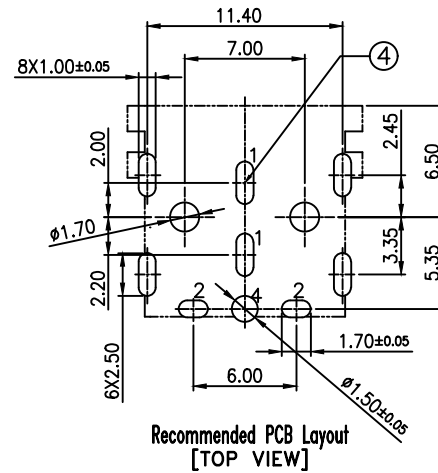
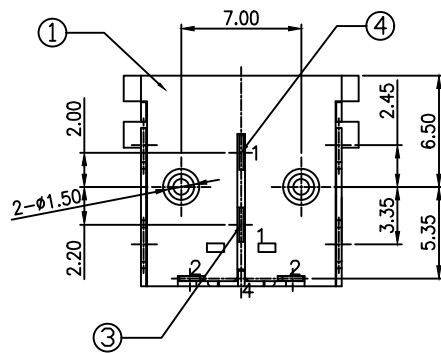
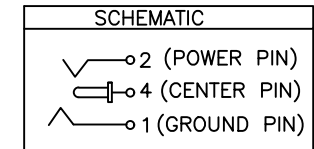
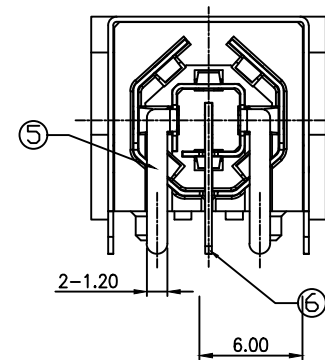
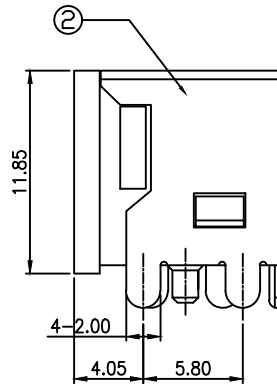
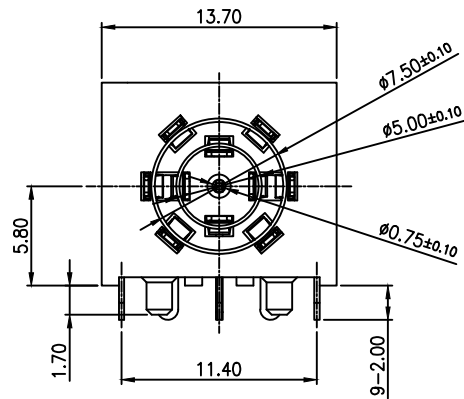
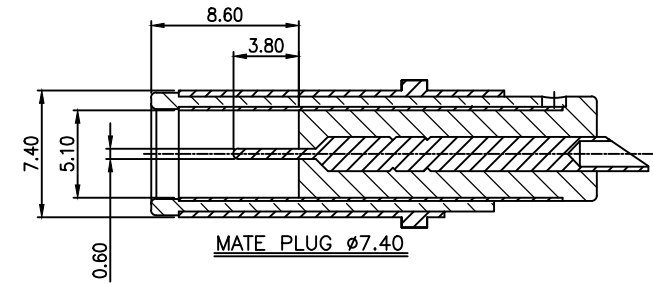
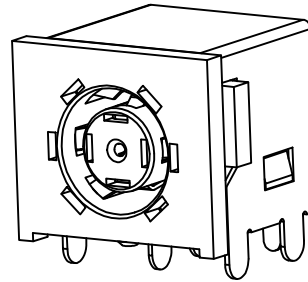
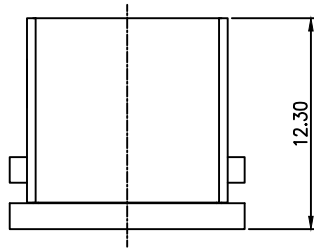


* RoHS COMPLIANT *

* REVISIONS				
LTR	DESCRIPTION	DATE	REVISED	APPROVED



6	POWER	1	C2680	Au	PLATED
5	POWER PIN	1	C5210	Au	PLATED
4	GROUND PIN2	1	C5210	Au	PLATED
3	GROUND PIN1	1	C5210	Au	PLATED
2	SHIELD	1	C2680	Ni	PLATED
1	HOUSING	1	PA9T		

LTR	PART NAME	QTY	MATERIAL	REMARK	
DWN	LILY	DATE	2013.05.31	3RD ANGLE PROJECTION	
CHKD	ANDY	DATE	2013.05.31		
APVD	JON	DATE	2013.05.31		
				NAME	DC POWER JACK
				CAT. NO.	DCD-020-106G
				DWN.NO.	E-020-106
					001

UNLESS OTHERWISE SPECIFIED, TOLERANCE ON DECIMAL: ±0.3

JKCR Electronics Co., Ltd.