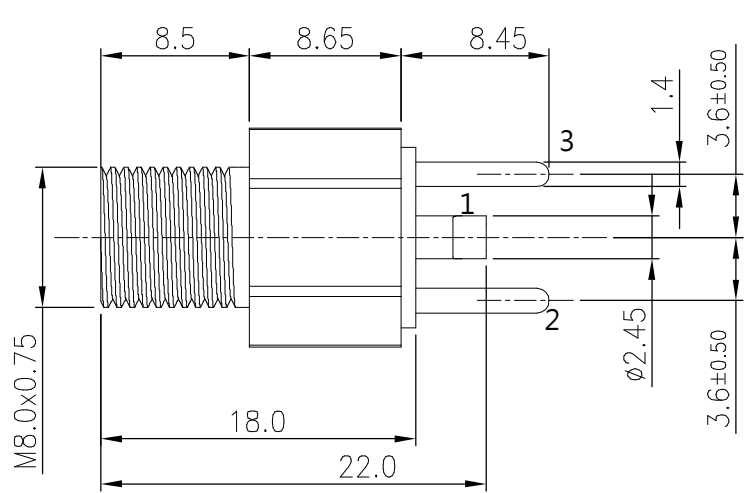
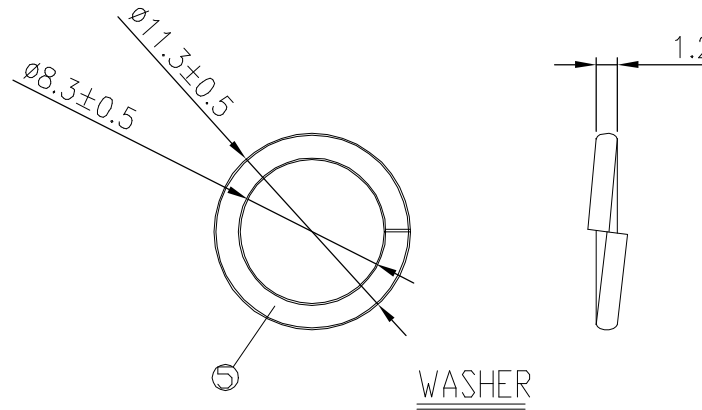


* RoHS COMPLIANT *

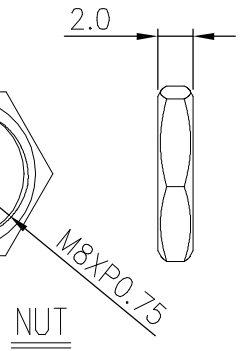
* REVISIONS				
LTR	DESCRIPTION	DATE	REVISED	APPROVED



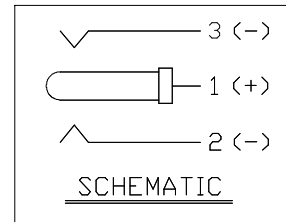
TOP VIEW



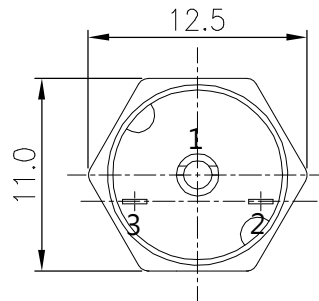
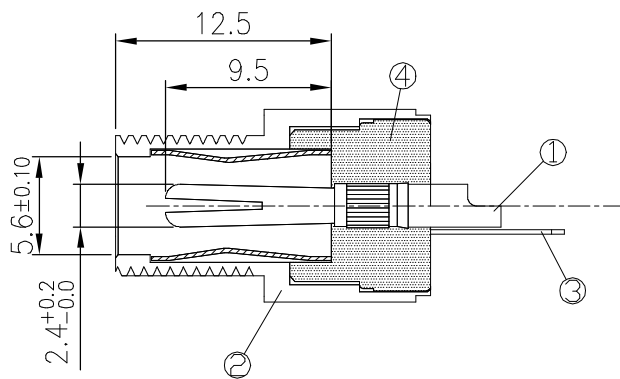
WASHER



NUT



SCHEMATIC



REAR VIEW

6	NUT	1	H59(COPPER ALLOY)	Cu/Sn PLATED
5	WASHER	1	H59(COPPER ALLOY)	Cu/Sn PLATED
4	DIELECTRIC	1	PBT	BLACK
3	TERMINAL	1	C5191	Ag PLATED
2	SLEEVE	1	H59(COPPER ALLOY)	Cu/Sn PLATED
1	PIN	1	H59(COPPER ALLOY)	Ag PLATED
LTR	PART NAME	QTY	MATERIAL	REMARK
DWN	LILY	DATE	2022.09.21	3RD ANGLE PROJECTION NAME DC POWER JACK CAT. NO. DCD-020-105H2B DWN.NO. B-020-105
CHKD	ANDY	DATE	2022.09.21	
APVD	JON	DATE	2022.09.21	
JKCR Electronics Co., Ltd.				001

UNLESS OTHERWISE SPECIFIED, TOLERANCE ON DECIMAL: ±0.3