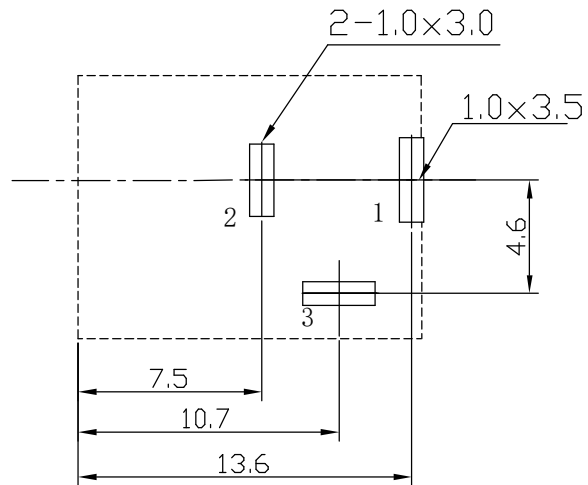
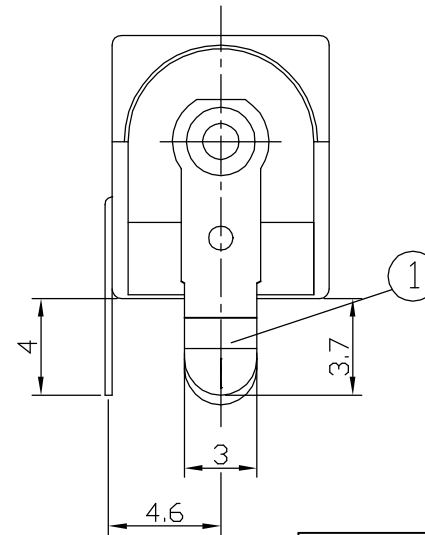
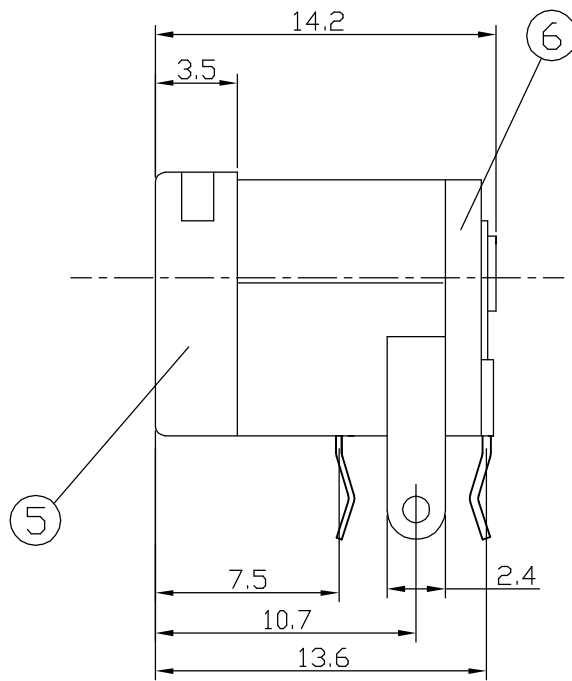
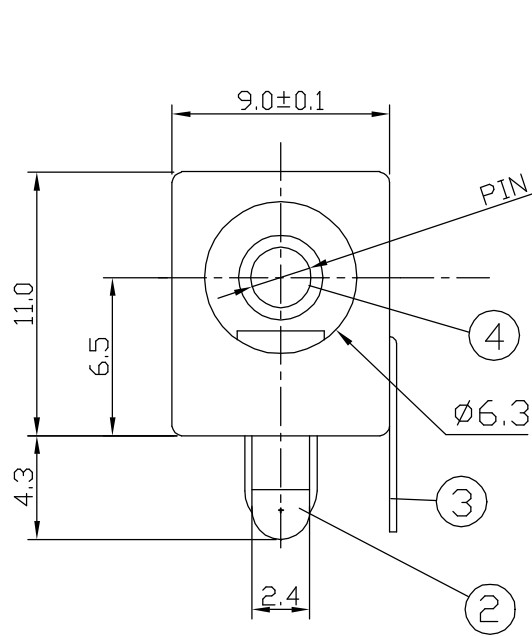


* REVISIONS				
LTR	DESCRIPTION	DATE	REVISED	APPROVED



T:1.6 Dimensions of PC board holes
Tolerance : ±0.05(Printed-top view)

CAT. NO.	PIN	SCHEMATIC
DCD-020-05JA-A	Ø2.0	1
DCD-020-05JB-A	Ø2.5	3
		2

LEAD FREE

6	COVER	1	PBT	UL-94V0(BLACK)
5	HOUSING	1	PBT	UL-94V0(BLACK)
4	PIN	1	H59(COPPER ALLOY)	Sn PLATED
3	CURVE PIECE	1	C2680	Ag PLATED
2	SPRING	1	C5191	Ag PLATED
1	FLAT PIECE	1	C2680	Ag PLATED

LTR	PART NAME		QTY	MATERIAL	REMARK
DWN	LILY	DATE	2020.01.07	3RD ANGLE PROJECTION	NAME DC POWER JACK
CHKD	ANDY	DATE	2020.01.07		CAT. NO. DCD-020-05JX-A
APVD	JON	DATE	2020.01.07	UNIT: mm	DWN.NO. A-020-05
JKCR Electronics Co., Ltd.					002

UNLESS OTHERWISE SPECIFIED, TOLERANCE ON DECIMAL: ±0.3