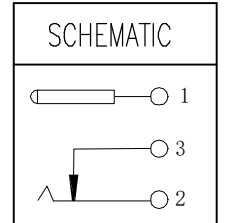
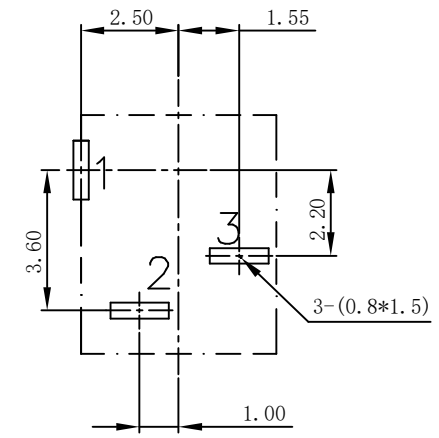
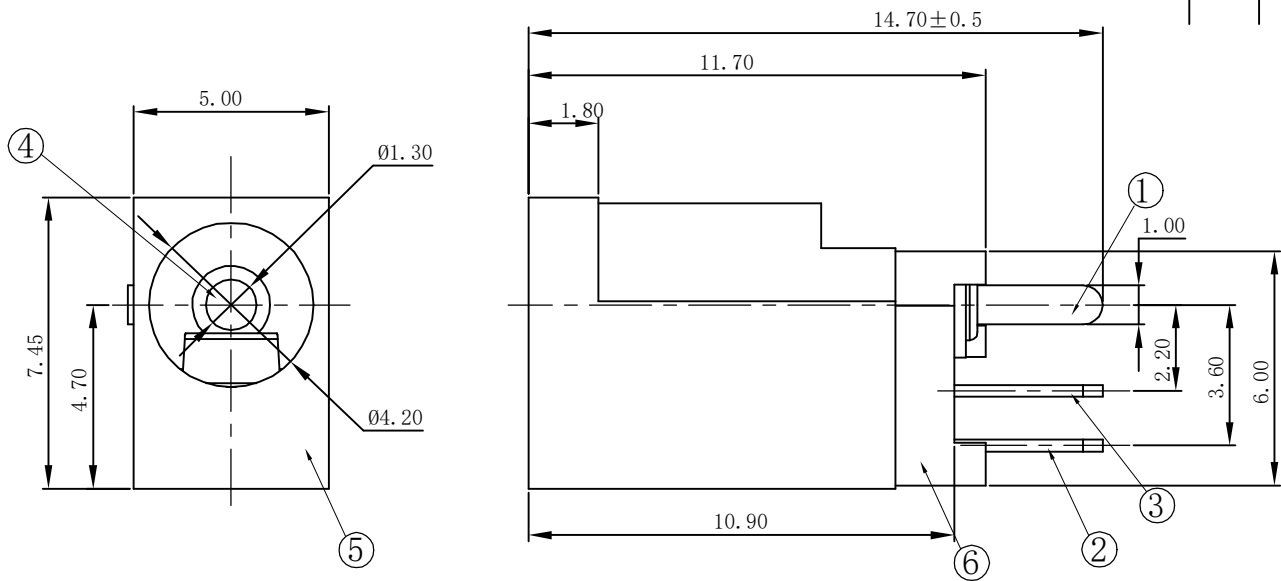
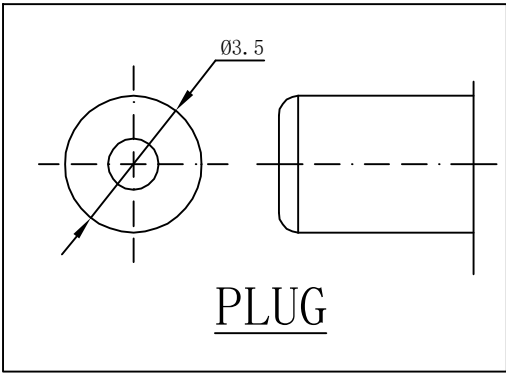
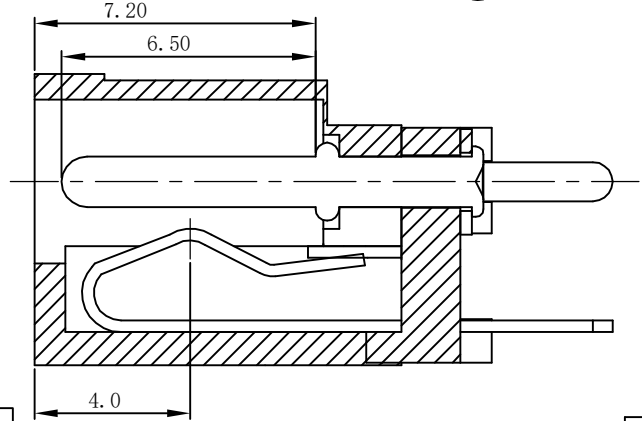


* REVISIONS				
LTR	DESCRIPTION	DATE	REVISED	APPROVED



T:1.6 Dimensions of PC board holes  
Tolerance : ±0.05(Printed-top view)



UNLESS OTHERWISE SPECIFIED, TOLERANCE ON DECIMAL:±0.3

## LEAD FREE

6	COVER	1	PBT	BLACK
5	HOUSING	1	PBT	BLACK
4	PIN	1	COPPER ALLOY	Cu/Sn PLATED
3	SHUNT TERMINAL	1	C2680 t=0.30	Ag PLATED
2	SPRING PIECE	1	C5191 t=0.30	Ag PLATED
1	FLAT PIECE	1	C2680 t=0.30	Ag PLATED
LTR	PART NAME	QTY	MATERIAL	REMARK
DWN	LILY	DATE	2024.08.07	NAME DC POWER JACK
CHKD	ANDY	DATE	2024.08.07	
APVD	JON	DATE	2024.08.07	
				CAT. NO. DCD-020-02HSB
JKCR Electronics Co., Ltd.				DWN.NO. SX-020-02
				001