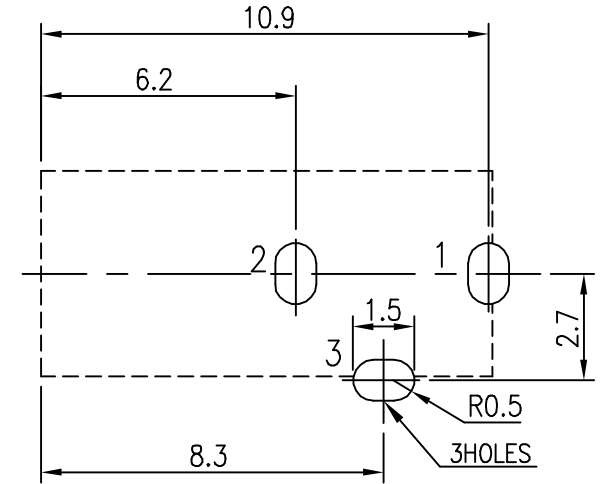
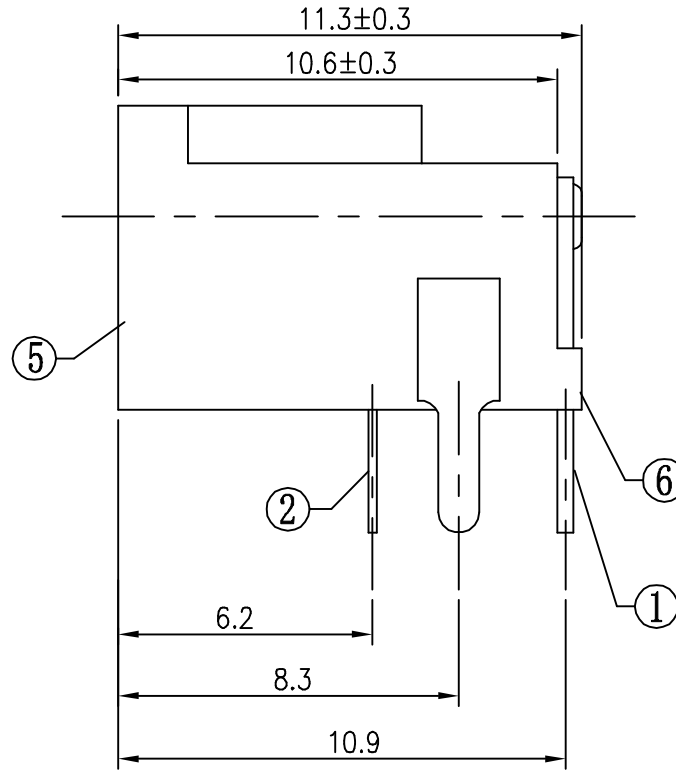
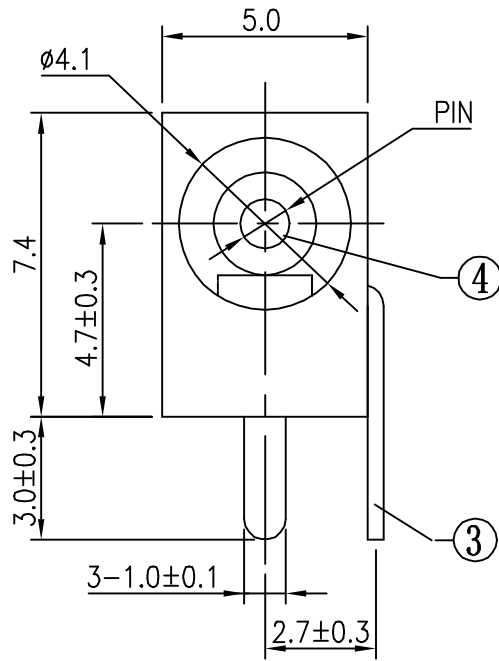


* RoHS COMPLIANT *

* REVISIONS				
LTR	DESCRIPTION	DATE	REVISED	APPROVED



T:1.6 Dimensions of PC board holes
Tolerance : ±0.05(Printed-top view)

CAT NO.	PIN	SCHEMATIC
DCD-020-02A	φ1.0	1
DCD-020-02B	φ1.3	3
DCD-020-02C	φ1.65	2
DCD-020-02D	φ1.15	2

6	COVER	1	PA66	BLACK
5	HOUSING	1	PA66	BLACK
4	PIN	1	H59(COPPER ALLOY)	Ni PLATED
3	CURVE PIECE	1	C2680 t=0.35	Ag PLATED
2	SPRING PIECE	1	C5191 t=0.30	Ag PLATED
1	FLAT PIECE	1	C2680 t=0.35	Ag PLATED
LTR	PART NAME	QTY	MATERIAL	REMARK
DWN	LILY	DATE	2014.12.02	NAME DC POWER JACK CAT. NO. DCD-020-02 DWN.NO. A-020-02
CHKD	ANDY	DATE	2014.12.02	
APVD	JON	DATE	2014.12.02	
JKCR Electronics Co., Ltd.				001

UNLESS OTHERWISE SPECIFIED, TOLERANCE ON DECIMAL:±0.3